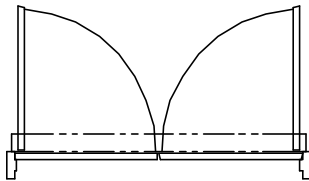


**ELEVATION VIEW**

SCALE: 1/4" = 1'0"

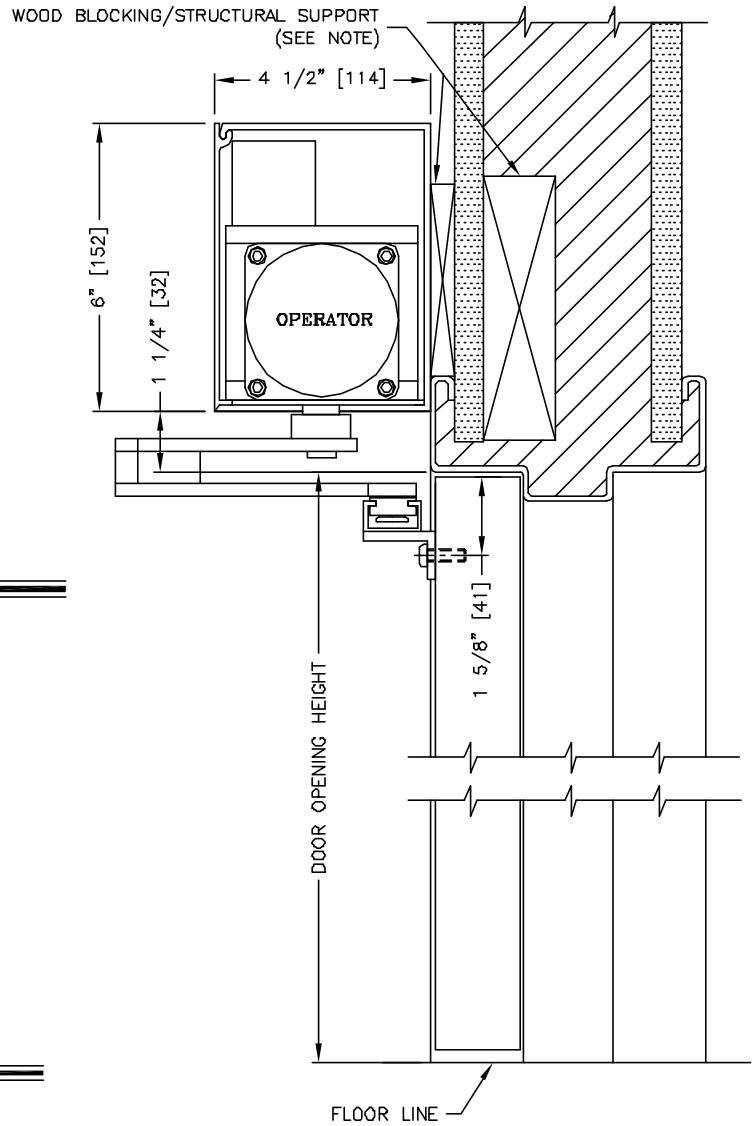
INTERIOR



EXTERIOR

**PLAN VIEW**

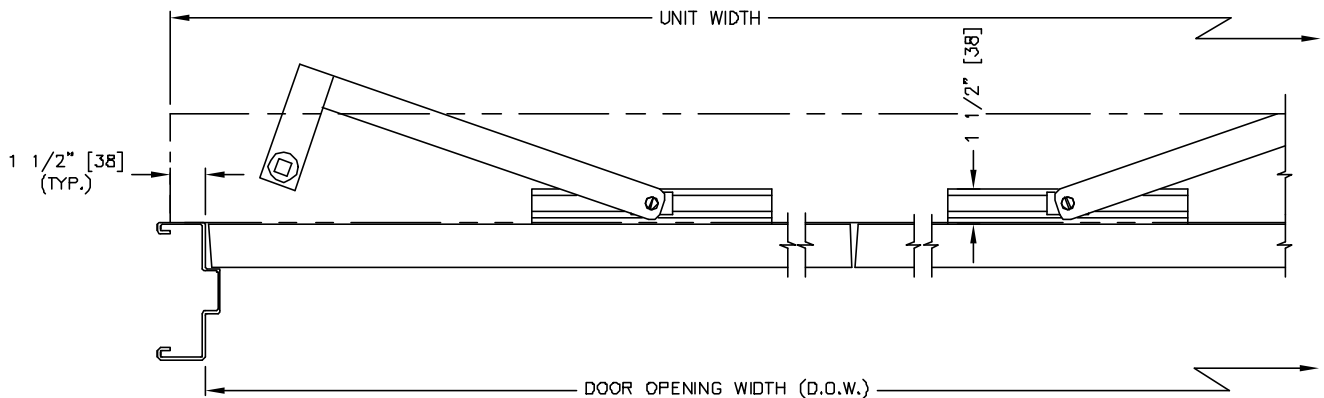
SCALE: 1/4" = 1'0"



**SECTION: 2**

SCALE: 1/4 SIZE

NOTE: WOOD BLOCKING/STRUCTURAL SUPPORT FOR DOOR OPERATOR (BY OTHERS)



**SECTION: 1**

SCALE: 1/8 SIZE

MEASUREMENTS GIVEN IN INCHES [MILLIMETERS].