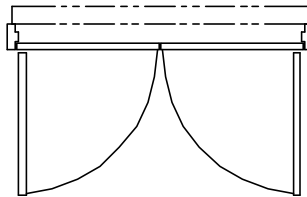


ELEVATION VIEW

SCALE: 1/4" = 1'0"

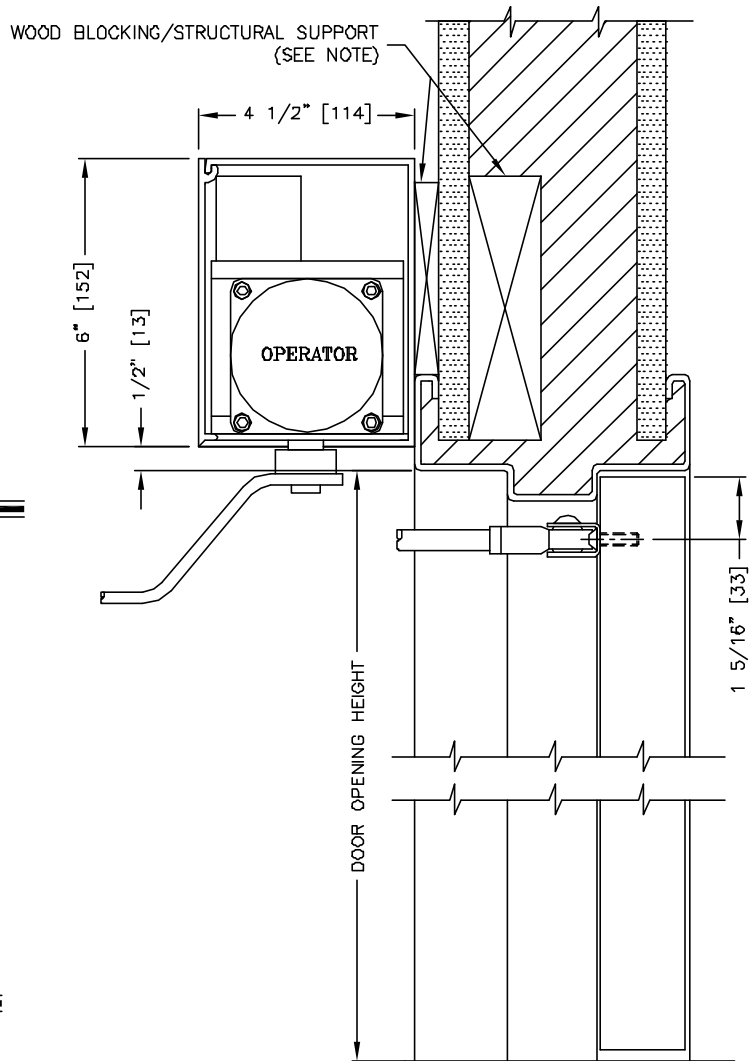
INTERIOR



EXTERIOR

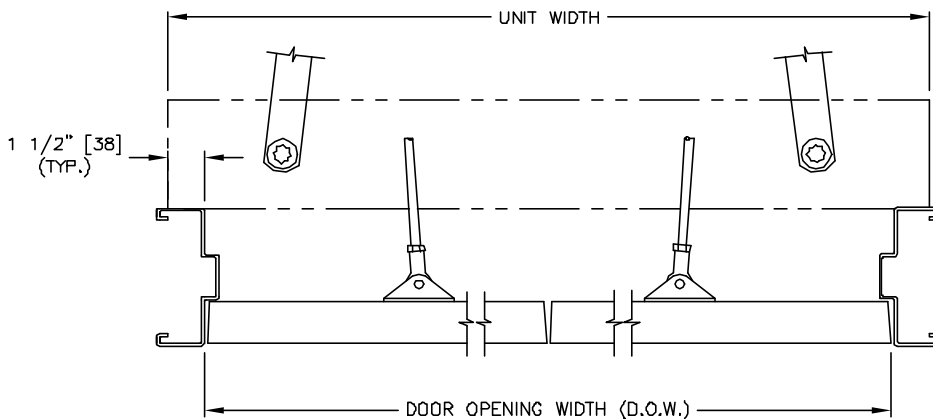
PLAN VIEW

SCALE: 1/4" = 1'0"



SECTION: 2

SCALE: 1/4" SIZE



SECTION: 1

SCALE: 1/8" SIZE

NOTE: WOOD BLOCKING/STRUCTURAL SUPPORT
FOR DOOR OPERATOR (BY OTHERS)

MEASUREMENTS GIVEN IN INCHES [MILLIMETERS].