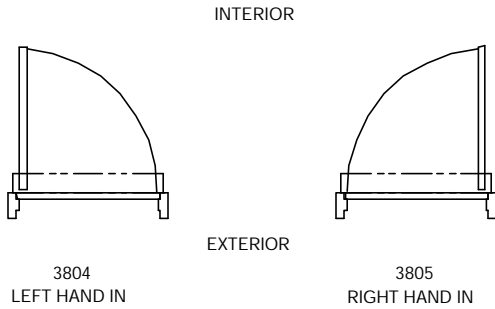


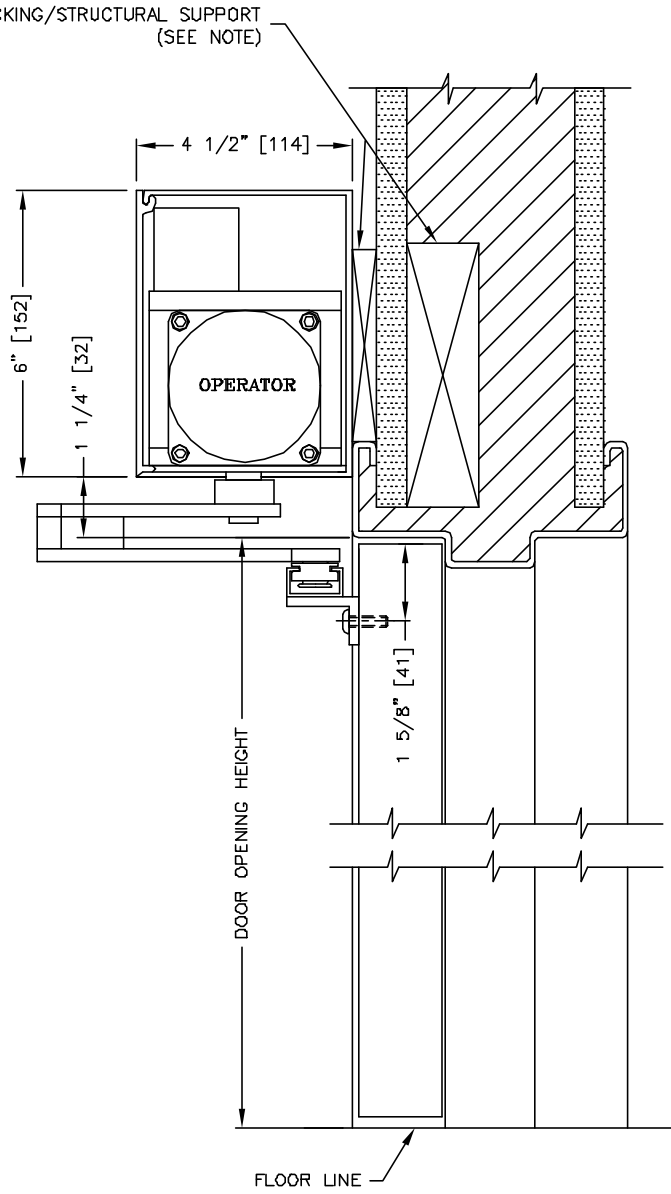
**ELEVATION VIEW**

SCALE: 1/4" = 1'0"



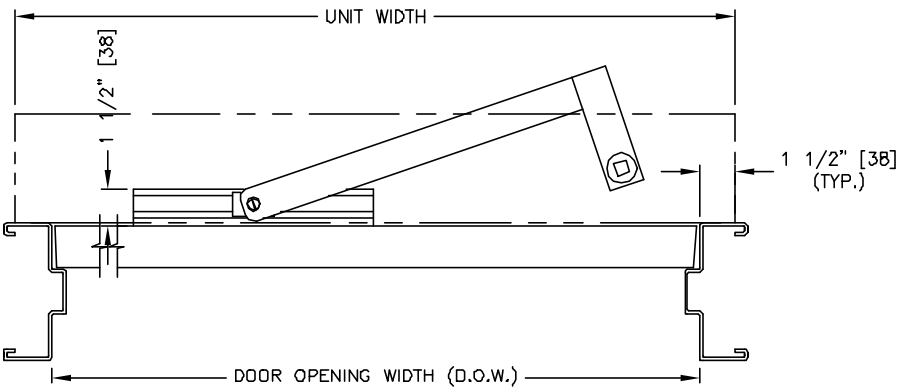
**PLAN VIEW**

SCALE: 1/4" = 1'0"



**SECTION: 2**

SCALE: 1/4 SIZE



**SECTION: 1**

SCALE: 1/8 SIZE

**NOTE:** WOOD BLOCKING/STRUCTURAL SUPPORT FOR DOOR OPERATOR (BY OTHERS).

RH IN (3805) SHOWN.  
LH IN (3804) OPPOSITE.

MEASUREMENTS GIVEN IN INCHES [MILLIMETERS].