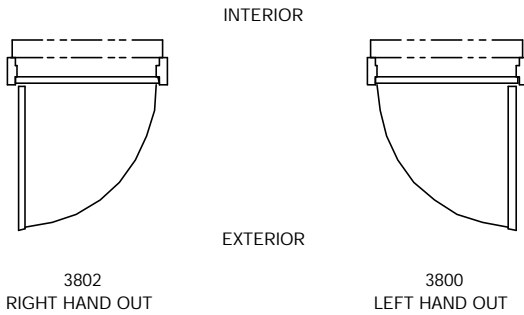


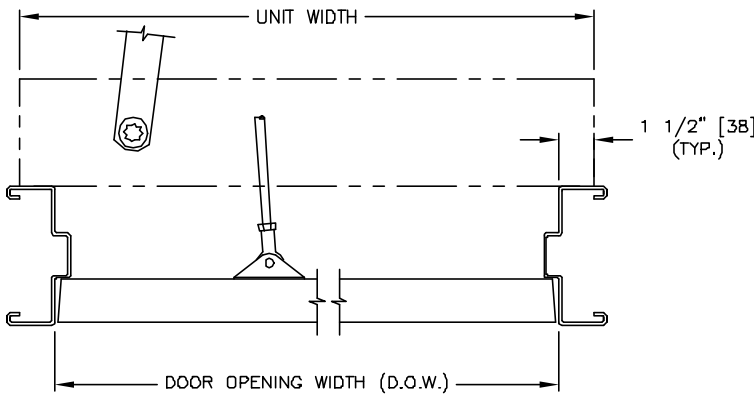
ELEVATION VIEW

SCALE: 1/4" = 1'0"



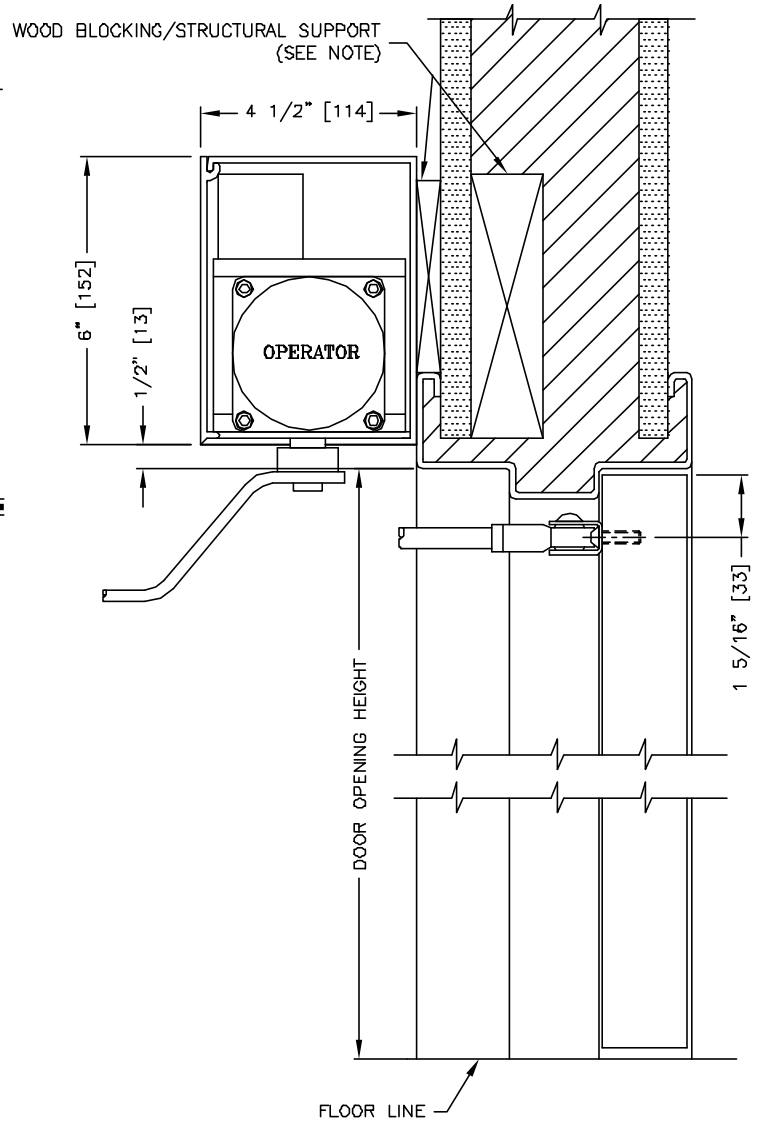
PLAN VIEW

SCALE: 1/4" = 1'0"



SECTION: 1

SCALE: 1/8 SIZE



SECTION: 2

SCALE: 1/4 SIZE

NOTE: WOOD BLOCKING/STRUCTURAL SUPPORT FOR DOOR OPERATOR (BY OTHERS)

LHR (3802 RH OUT) SHOWN.
RHR (3800 LH OUT) OPPOSITE.

MEASUREMENTS GIVEN IN INCHES [MILLIMETERS].