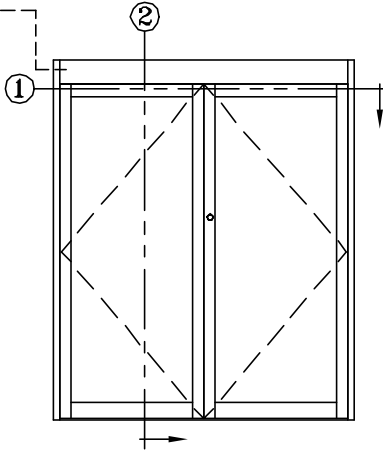


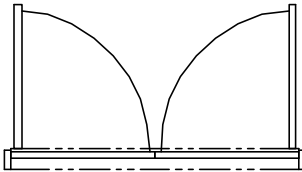
POWER
120V, 15A, 60HZ,
1 PHASE



ELEVATION VIEW

SCALE: 1/4" = 1'0"

INTERIOR



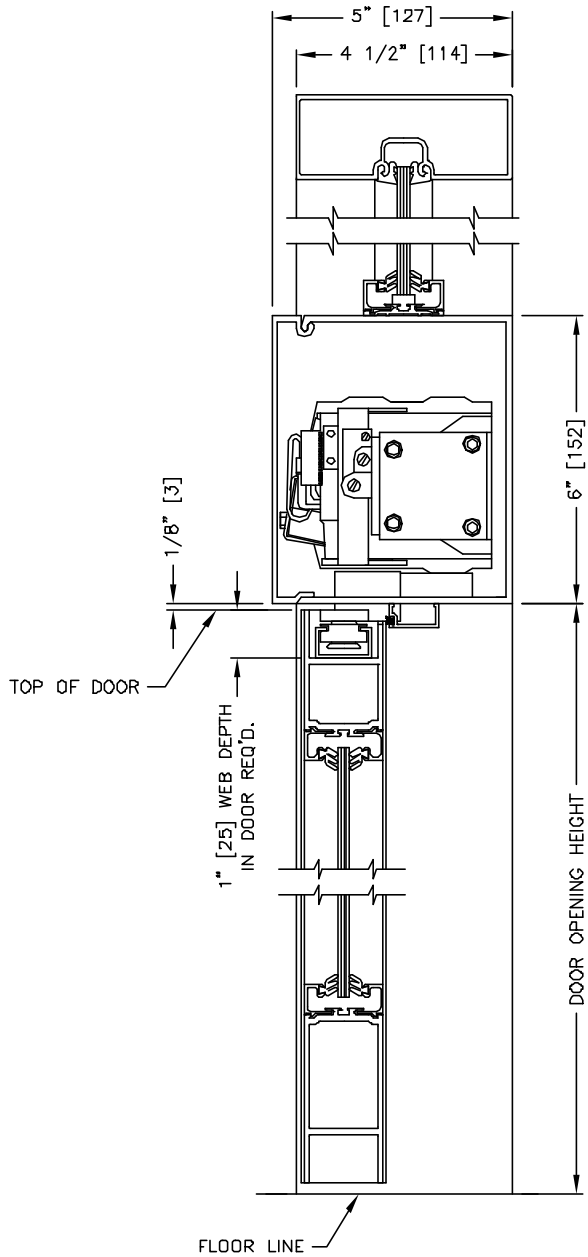
EXTERIOR

PLAN VIEW

SCALE: 1/4" = 1'0"

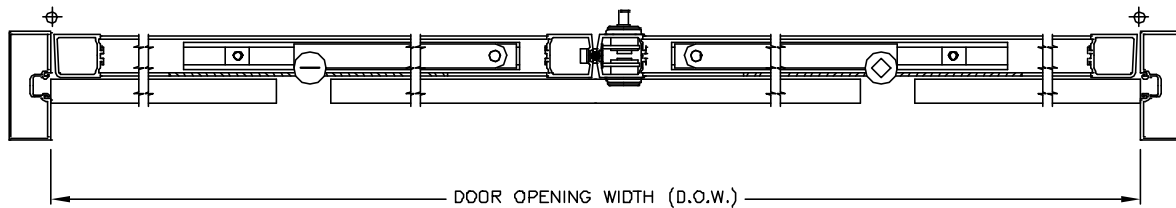
NOTES:

1. AUXILIARY DOOR STOP (BY OTHERS) REQUIRED AT FULL DOOR OPEN POSITION.
2. TOP RAIL OF DOOR MUST BE MODIFIED TO PROVIDE CLEARANCE FOR ARM. CONTACT KM SYSTEMS FOR DETAILS.



SECTION: 2

SCALE: 1/4" SIZE



SECTION: 1

SCALE: 1/8" SIZE

MEASUREMENTS GIVEN IN INCHES [MILLIMETERS].