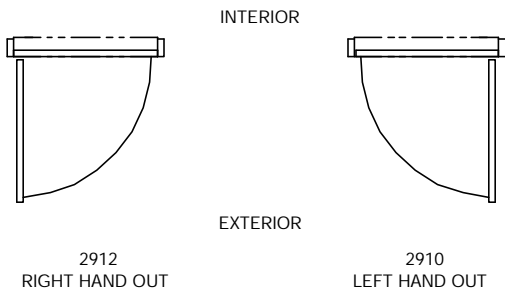


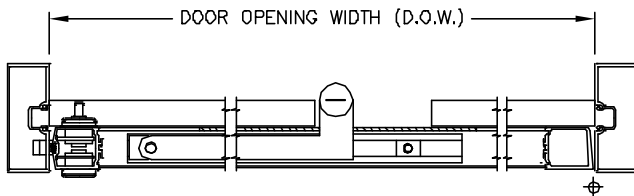
**ELEVATION VIEW**

SCALE: 1/4" = 1'0"



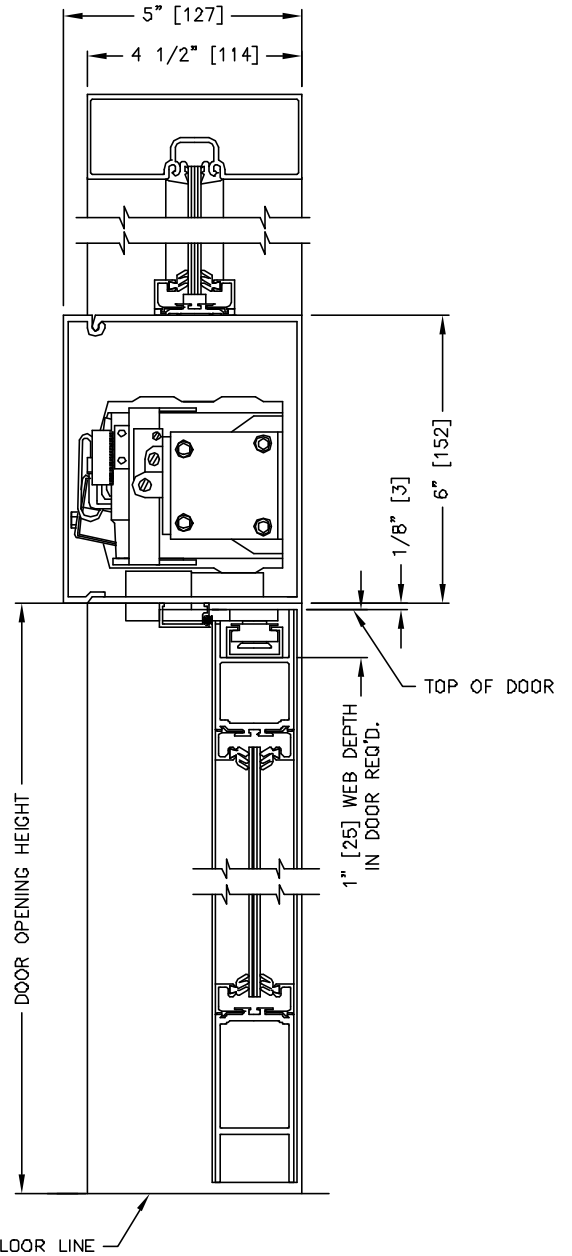
**PLAN VIEW**

SCALE: 1/4" = 1'0"



**SECTION: 1**

SCALE: 1/8 SIZE



**SECTION: 2**

SCALE: 1/4 SIZE

**NOTES:**

1. AUXILIARY DOOR STOP (BY OTHERS) REQUIRED AT FULL DOOR OPEN POSITION.
2. TOP RAIL OF DOOR MUST BE MODIFIED TO PROVIDE CLEARANCE FOR ARM. CONTACT KM SYSTEMS FOR DETAILS.

LH OUT (2910) SHOWN.  
RH OUT (2912) OPPOSITE.

MEASUREMENTS GIVEN IN INCHES [MILLIMETERS].