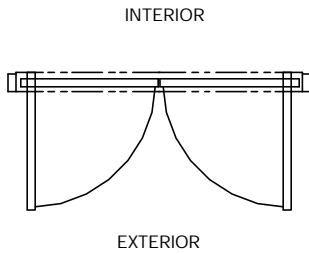


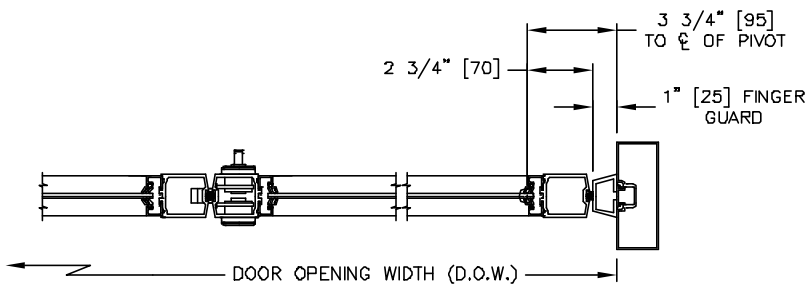
ELEVATION VIEW

SCALE: 1/4" = 1'0"



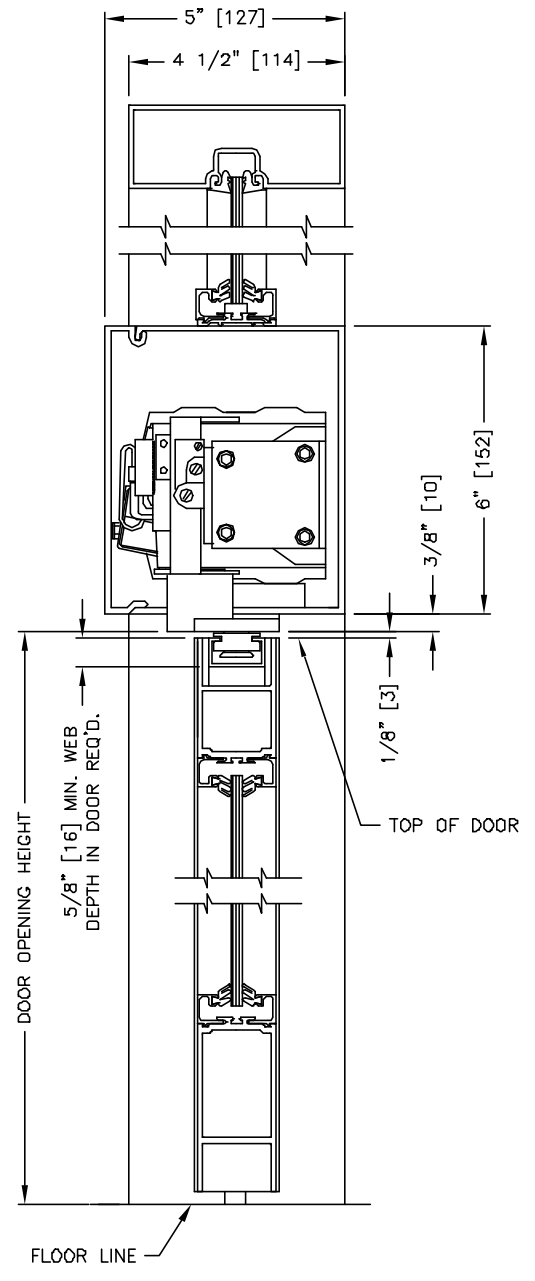
PLAN VIEW

SCALE: 1/4" = 1'0"



SECTION: 1

SCALE: 1/8 SIZE



SECTION: 2

SCALE: 1/4 SIZE

NOTE: AUXILIARY DOOR STOP (BY OTHERS)
REQUIRED AT FULL DOOR OPEN
POSITION.

MEASUREMENTS GIVEN IN INCHES [MILLIMETERS].