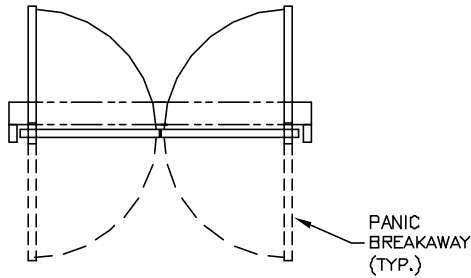


**ELEVATION VIEW**

SCALE: 1/4" = 1'0"

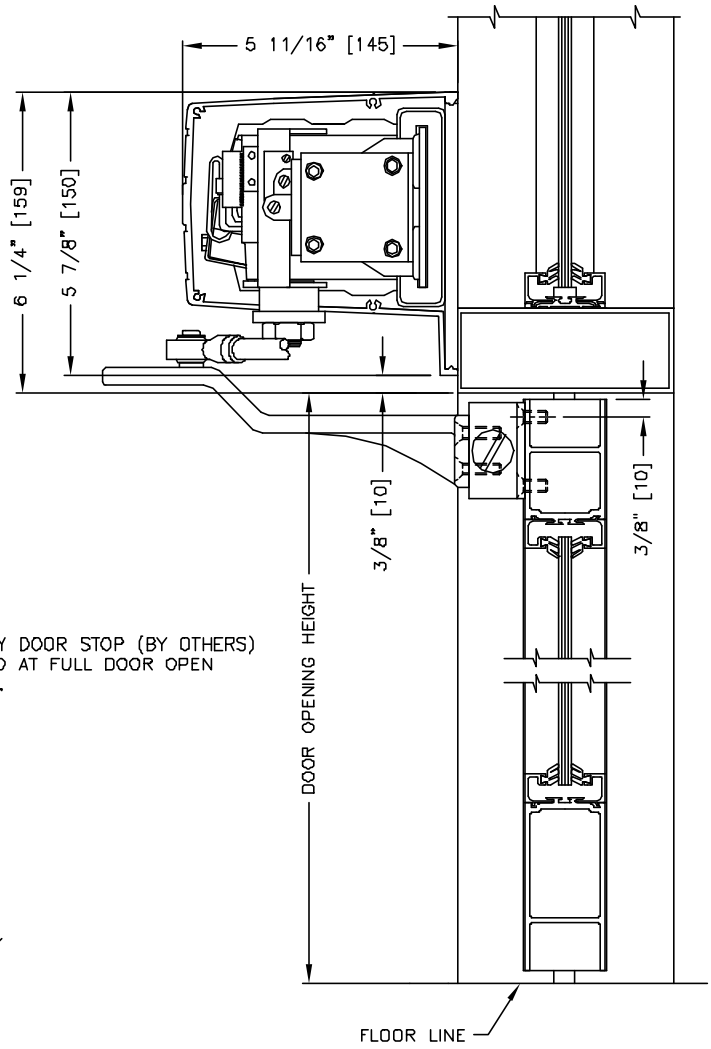
INTERIOR

NOTE: AUXILIARY DOOR STOP (BY OTHERS)  
REQUIRED AT FULL DOOR OPEN  
POSITION.



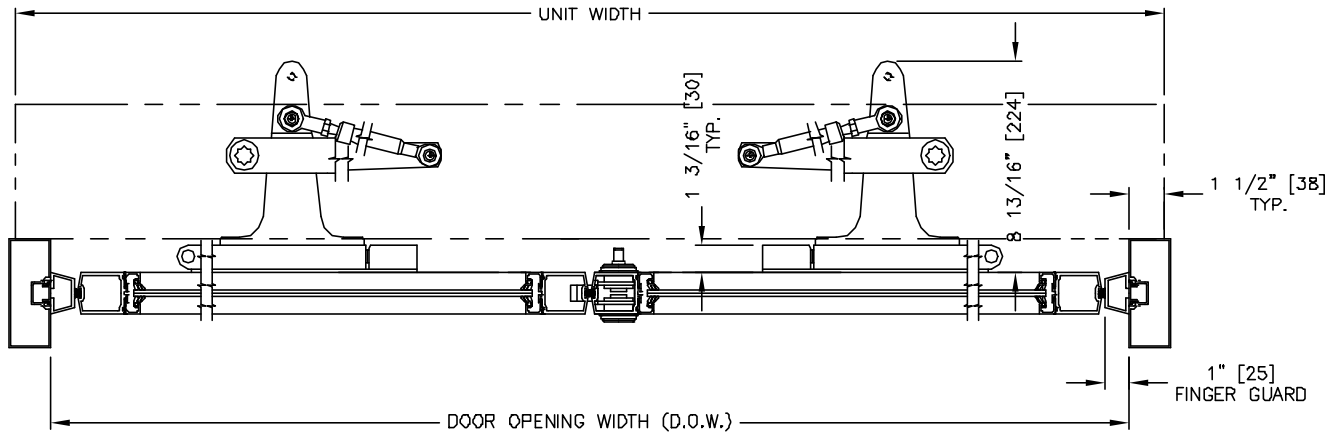
**PLAN VIEW**

SCALE: 1/4" = 1'0"



**SECTION: 2**

SCALE: 1/4 SIZE



**SECTION: 1**

SCALE: 1/8 SIZE

MEASUREMENTS GIVEN IN INCHES [MILLIMETERS].