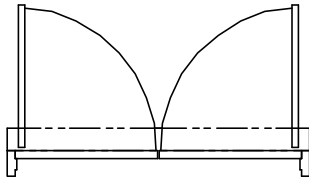


ELEVATION VIEW

SCALE: 1/4" = 1'0"

INTERIOR

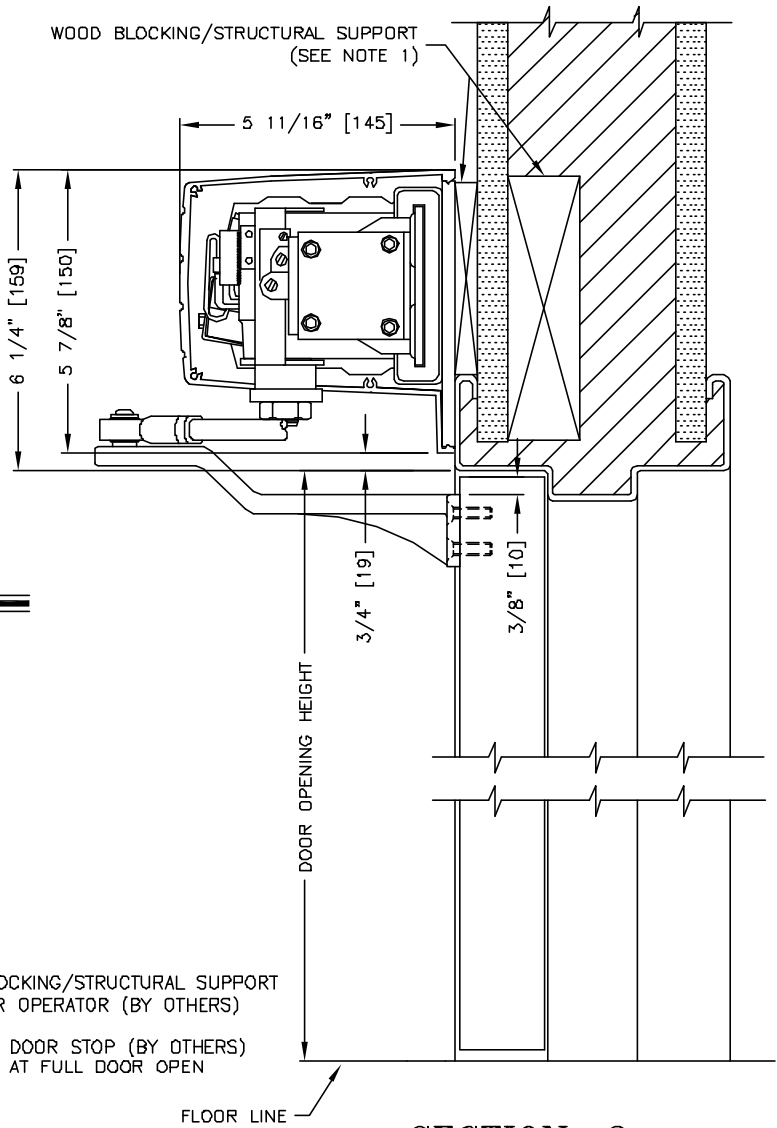


EXTERIOR

PLAN VIEW

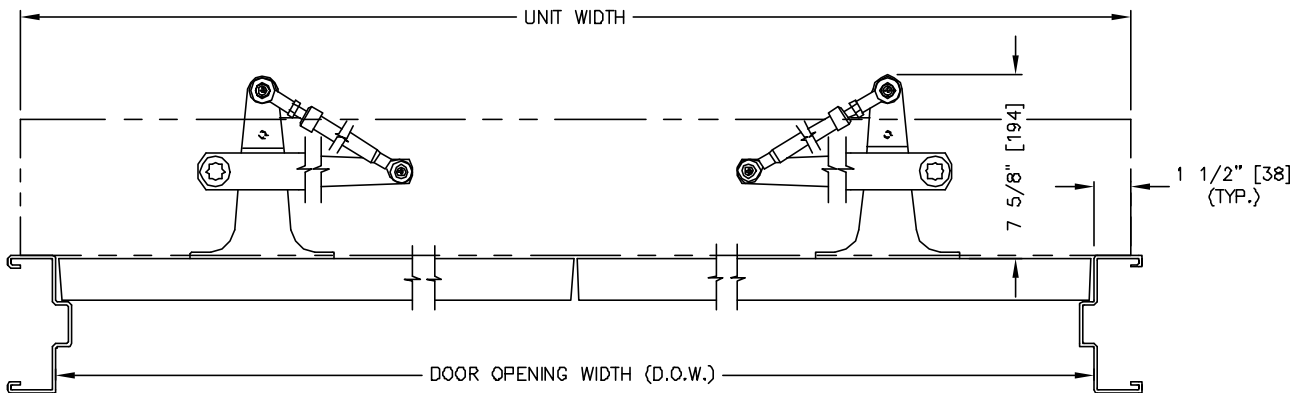
SCALE: 1/4" = 1'0"

- NOTES:**
1. WOOD BLOCKING/STRUCTURAL SUPPORT FOR DOOR OPERATOR (BY OTHERS)
 2. AUXILIARY DOOR STOP (BY OTHERS) REQUIRED AT FULL DOOR OPEN POSITION.



SECTION: 2

SCALE: 1/4 SIZE



SECTION: 1

SCALE: 1/8 SIZE

MEASUREMENTS GIVEN IN INCHES [MILLIMETERS].