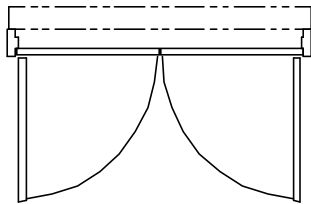


ELEVATION VIEW

SCALE: 1/4" = 1'0"

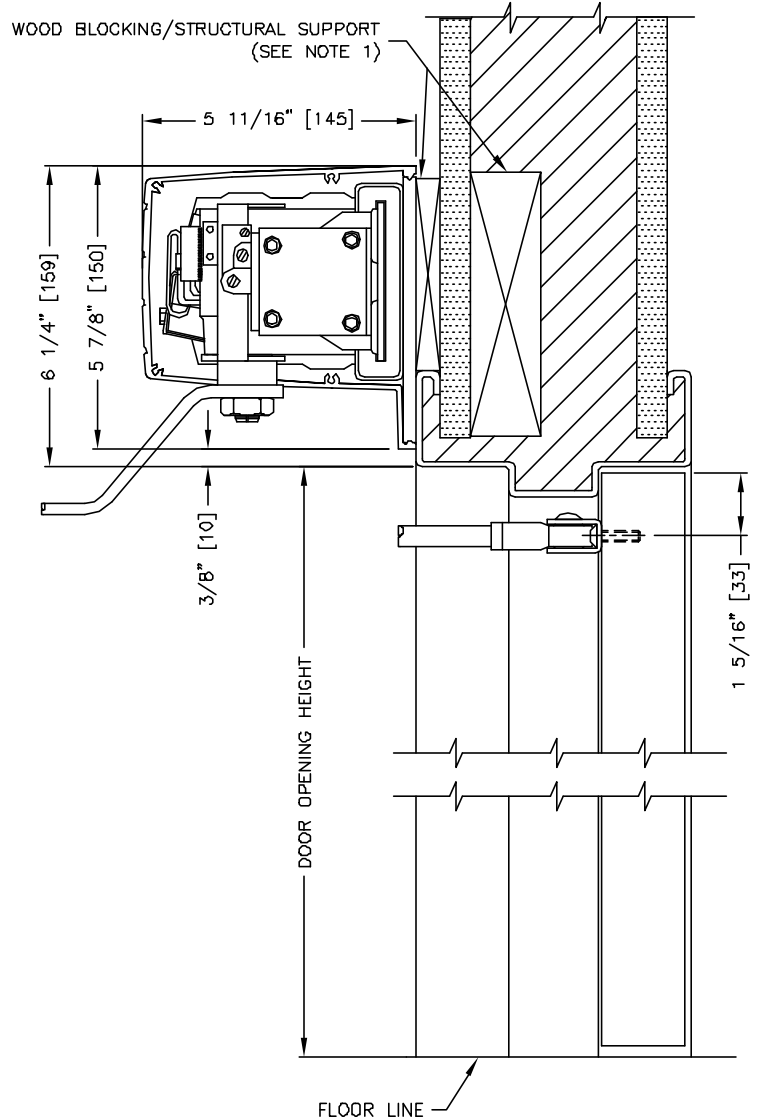
INTERIOR



EXTERIOR

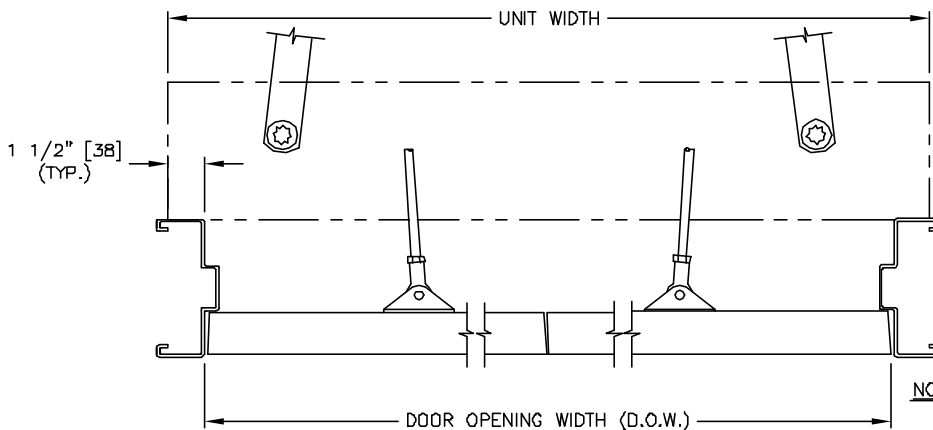
PLAN VIEW

SCALE: 1/4" = 1'0"



SECTION: 2

SCALE: 1/4 SIZE



SECTION: 1

SCALE: 1/8 SIZE

NOTES: 1. WOOD BLOCKING/STRUCTURAL SUPPORT FOR DOOR OPERATOR (BY OTHERS)

2. AUXILIARY DOOR STOP (BY OTHERS) REQUIRED AT FULL DOOR OPEN POSITION.

MEASUREMENTS GIVEN IN INCHES [MILLIMETERS].