



AUTOMATED ENTRANCE SYSTEMS

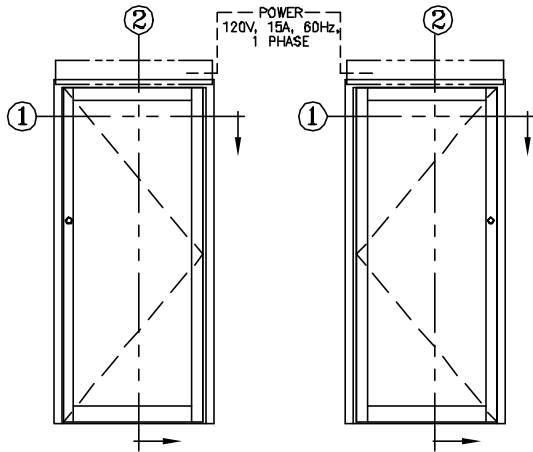
KM SYSTEMS, INC.

4910 STARCREST DRIVE (28110)
P.O. BOX 3099
MONROE, NC 28111-3099 U.S.A.

ACCESS ONE SWING DOOR OPERATORS

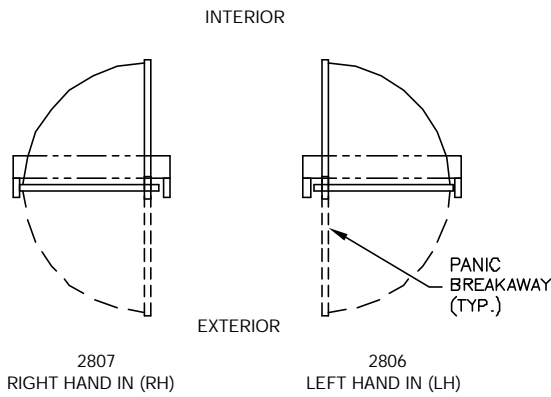
SERIES: 2800 ELECTROHYDRAULIC, LOW ENERGY
MODEL: 2806 (LEFT HAND), 2807 (RIGHT HAND)
TYPE: IN SWING (PULL ARM W/BREAKAWAY)

PAGE 28-2.03



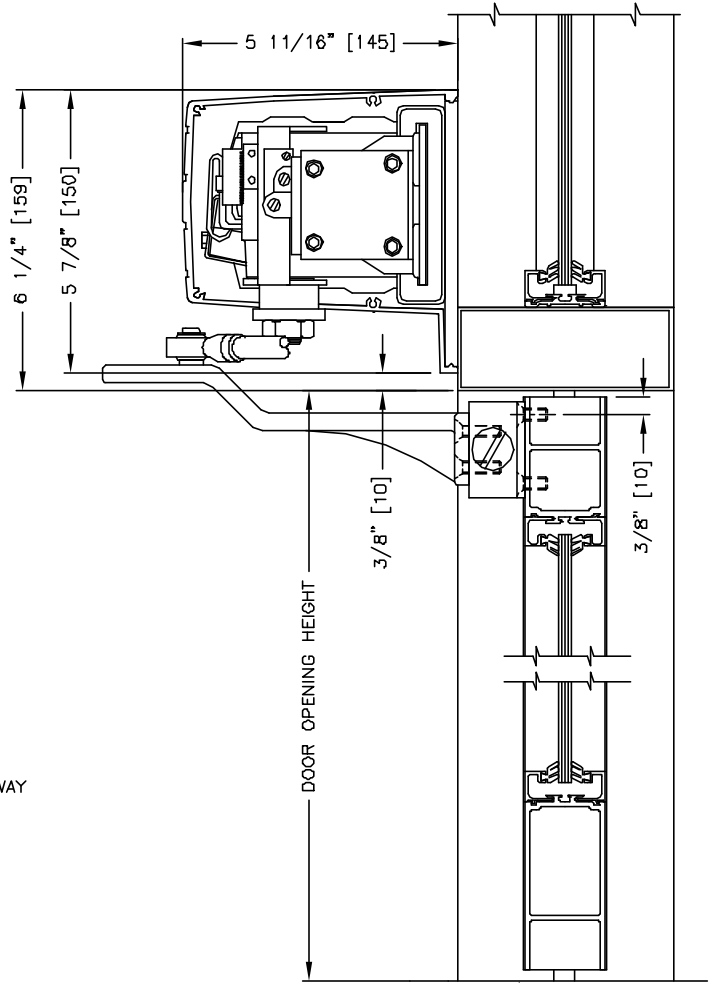
ELEVATION VIEW

SCALE: 1/4" = 1'0"



PLAN VIEW

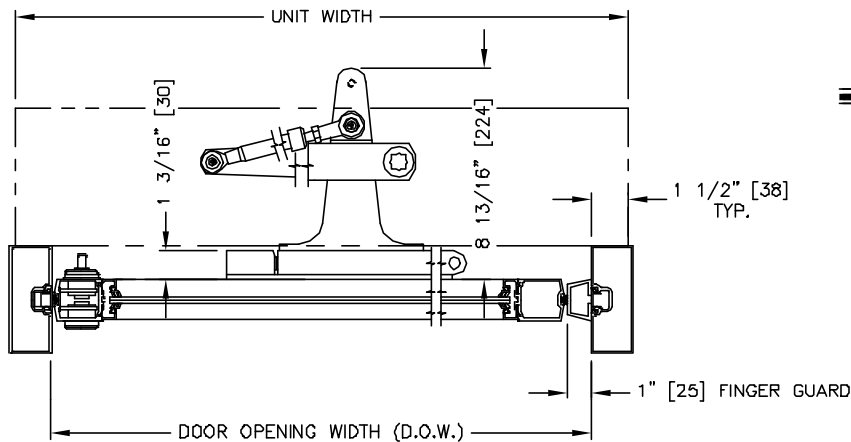
SCALE: 1/4" = 1'0"



FLOOR LINE

SECTION: 2

SCALE: 1/4 SIZE



SECTION: 1

SCALE: 1/8 SIZE

NOTE: AUXILIARY DOOR STOP (BY OTHERS) REQUIRED AT FULL DOOR OPENING POSITION.

RH IN (2807) SHOWN.
LH IN (2806) OPPOSITE.

MEASUREMENTS GIVEN IN INCHES [MILLIMETERS].