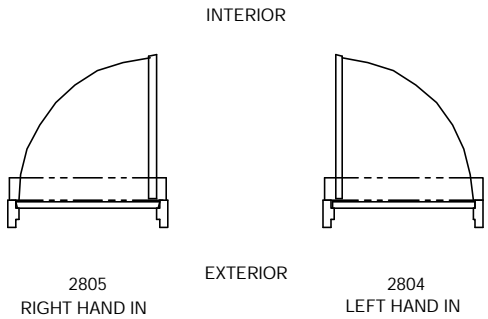


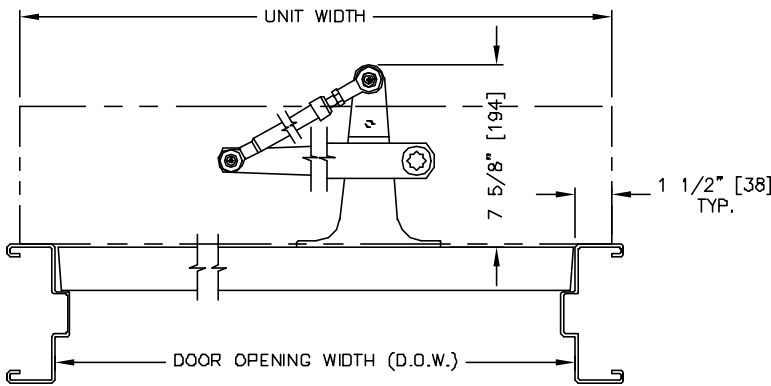
ELEVATION VIEW

SCALE: 1/4" = 1'0"



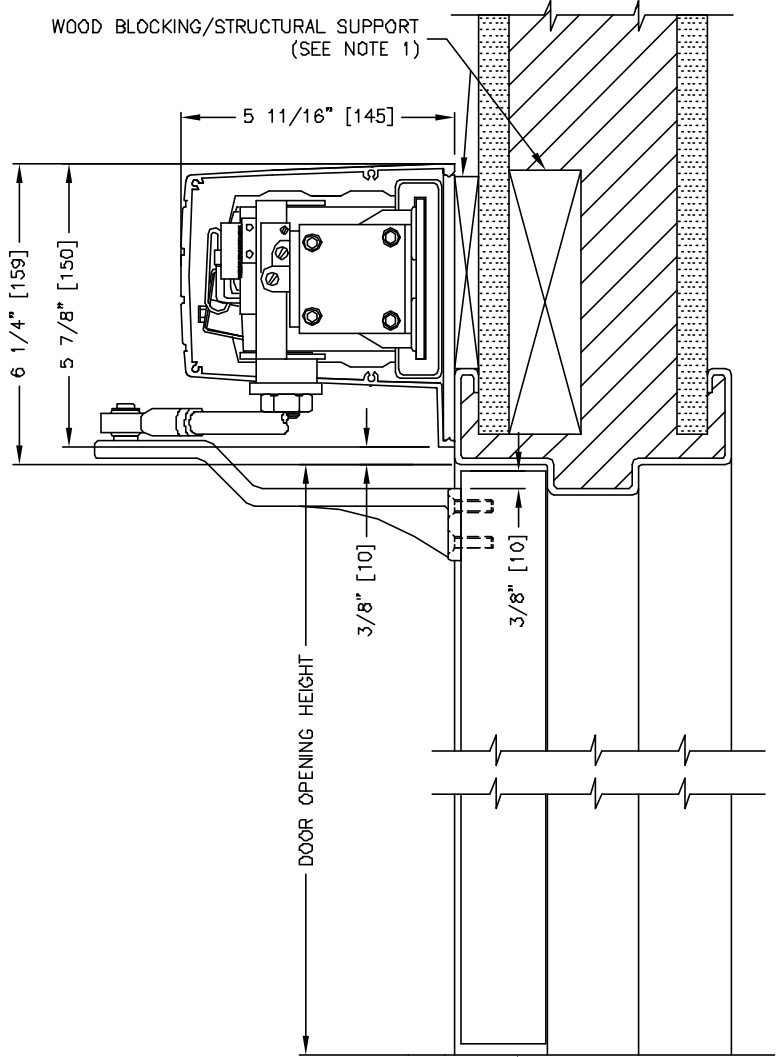
PLAN VIEW

SCALE: 1/4" = 1'0"



SECTION: 1

SCALE: 1/8 SIZE



SECTION: 2

SCALE: 1/4 SIZE

- NOTES:**
1. WOOD BLOCKING/STRUCTURAL SUPPORT FOR DOOR OPERATOR (BY OTHERS)
 2. AUXILIARY DOOR STOP (BY OTHERS) REQUIRED AT FULL DOOR OPEN POSITION.

RH IN (2805) SHOWN.
LH IN (2804) OPPOSITE.

MEASUREMENTS GIVEN IN INCHES [MILLIMETERS].