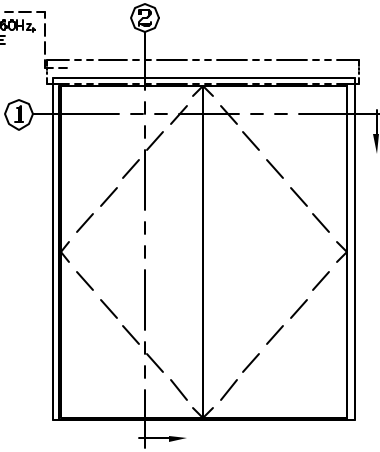


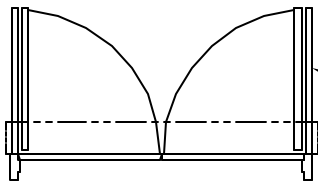
POWER
120V, 15A, 60Hz,
1 PHASE



ELEVATION VIEW

SCALE: 1/4" = 1'0"

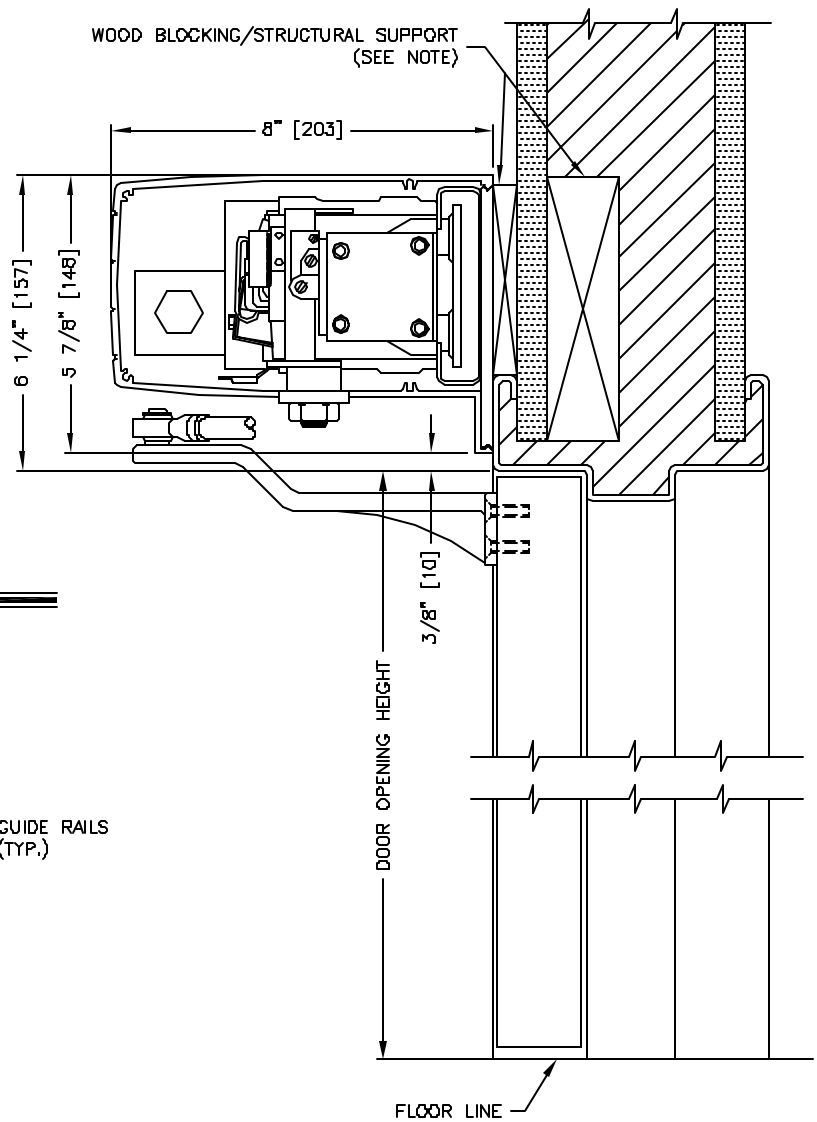
INTERIOR



EXTERIOR

GUIDE RAILS
(TYP.)

WOOD BLOCKING/STRUCTURAL SUPPORT
(SEE NOTE)

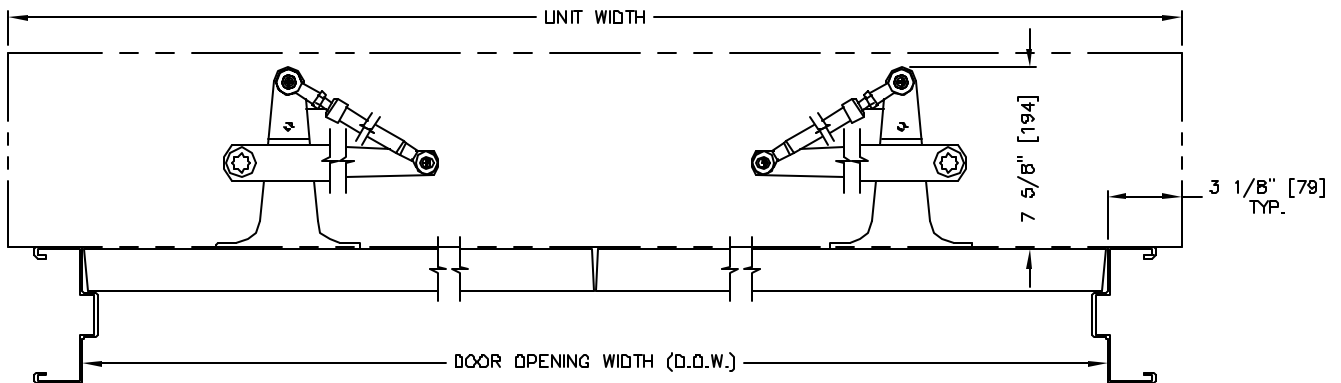


SECTION: 2

SCALE: 1/4 SIZE

PLAN VIEW

SCALE: 1/4" = 1'0"



SECTION: 1

SCALE: 1/8 SIZE

MEASUREMENTS GIVEN IN INCHES [MILLIMETERS].