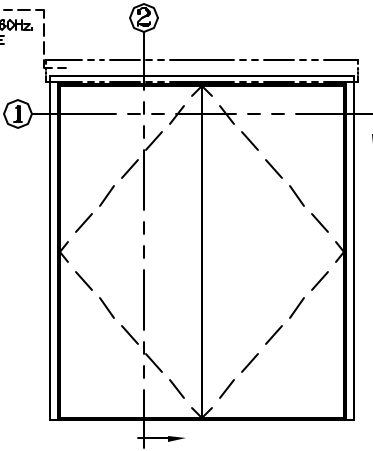


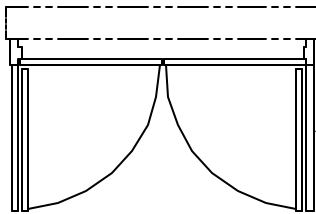
POWER  
120V, 15A, 60Hz  
1 PHASE



**ELEVATION VIEW**

SCALE: 1/4" = 1'0"

INTERIOR

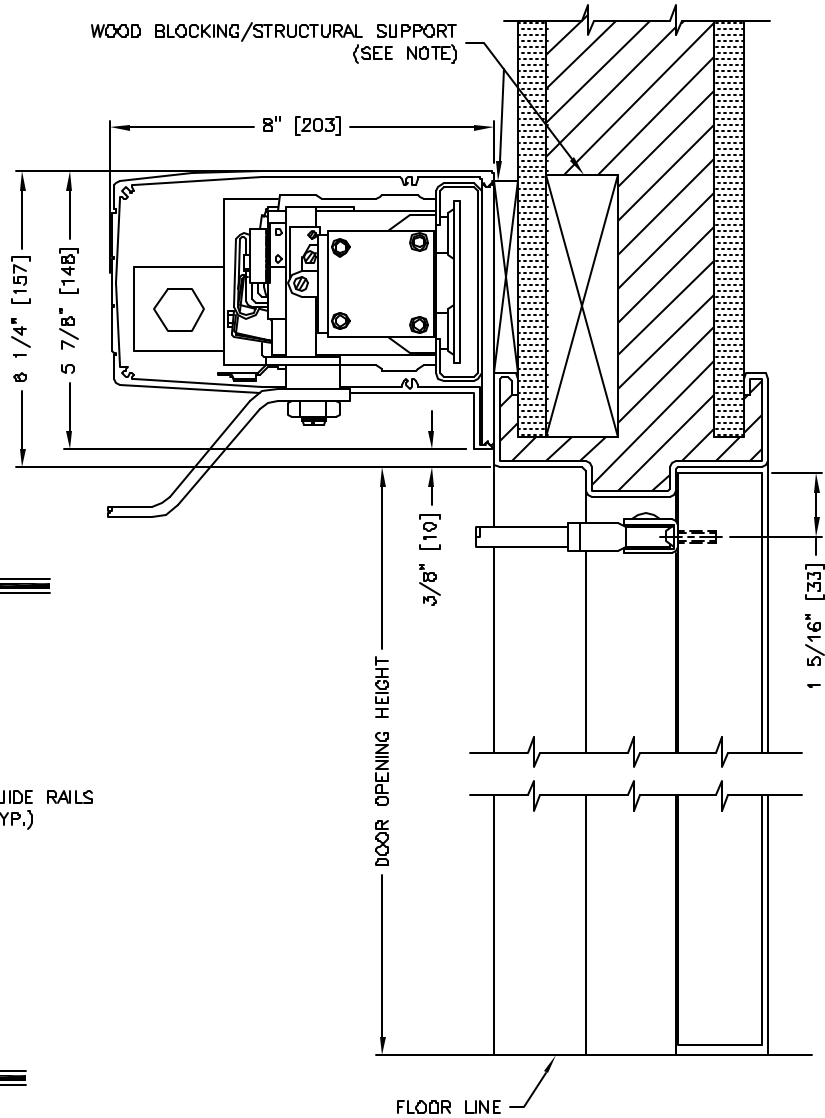


EXTERIOR

**PLAN VIEW**

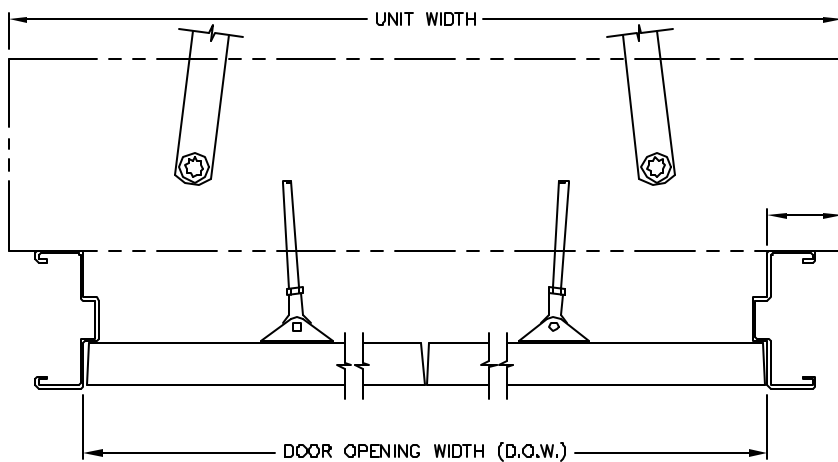
SCALE: 1/4" = 1'0"

WOOD BLOCKING/STRUCTURAL SUPPORT  
(SEE NOTE)



**SECTION: 2**

SCALE: 1/4 SIZE



**SECTION: 1**

SCALE: 1/8 SIZE

**NOTE:** WOOD BLOCKING/STRUCTURAL SUPPORT  
FOR DOOR OPERATOR (BY OTHERS)

MEASUREMENTS GIVEN IN INCHES [MILLIMETERS].