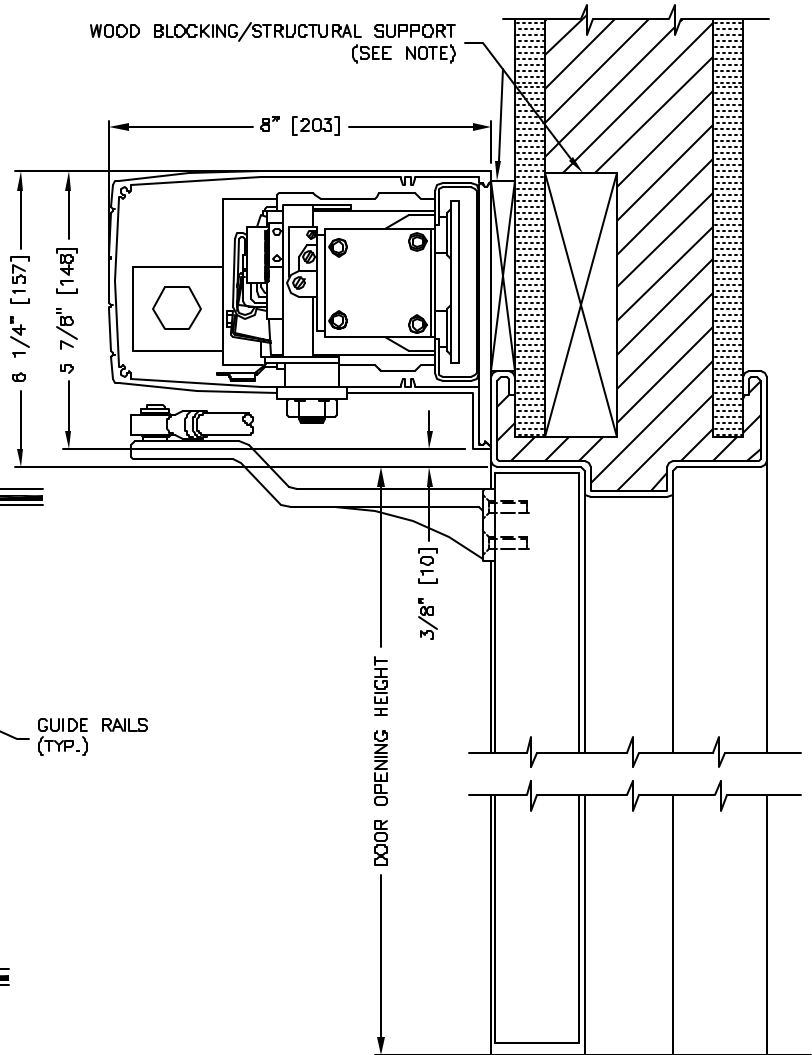


ELEVATION VIEW

SCALE: 1/4" = 1'0"

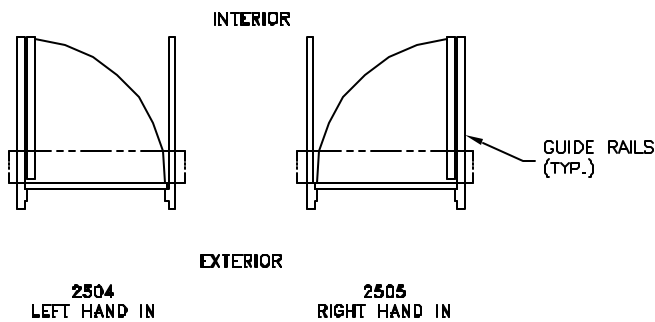


SECTION: 2

SCALE: 1/4 SIZE

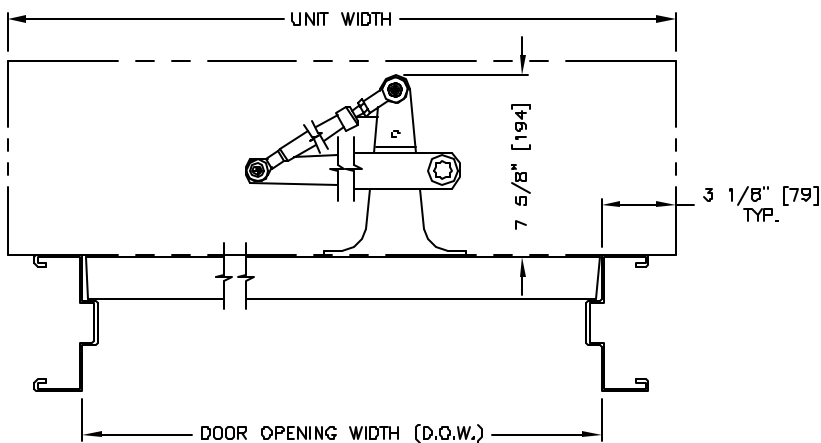
NOTE: WOOD BLOCKING/STRUCTURAL SUPPORT FOR DOOR OPERATOR (BY OTHERS)

RH IN (2505) SHOWN.
LH IN (2504) OPPOSITE.



PLAN VIEW

SCALE: 1/4" = 1'0"



SECTION: 1

SCALE: 1/8 SIZE

MEASUREMENTS GIVEN IN INCHES [MILLIMETERS].