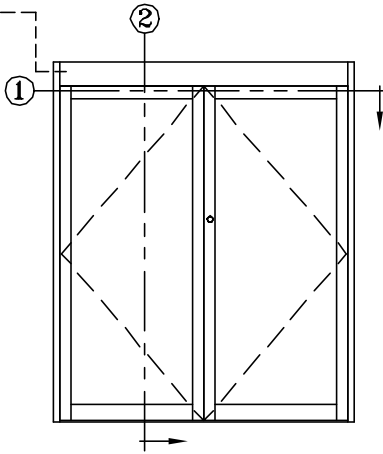


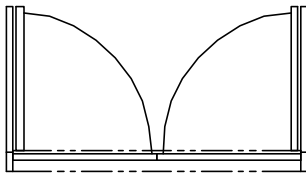
POWER
120V, 15A, 60HZ,
1 PHASE



ELEVATION VIEW

SCALE: 1/4" = 1'0"

INTERIOR



EXTERIOR

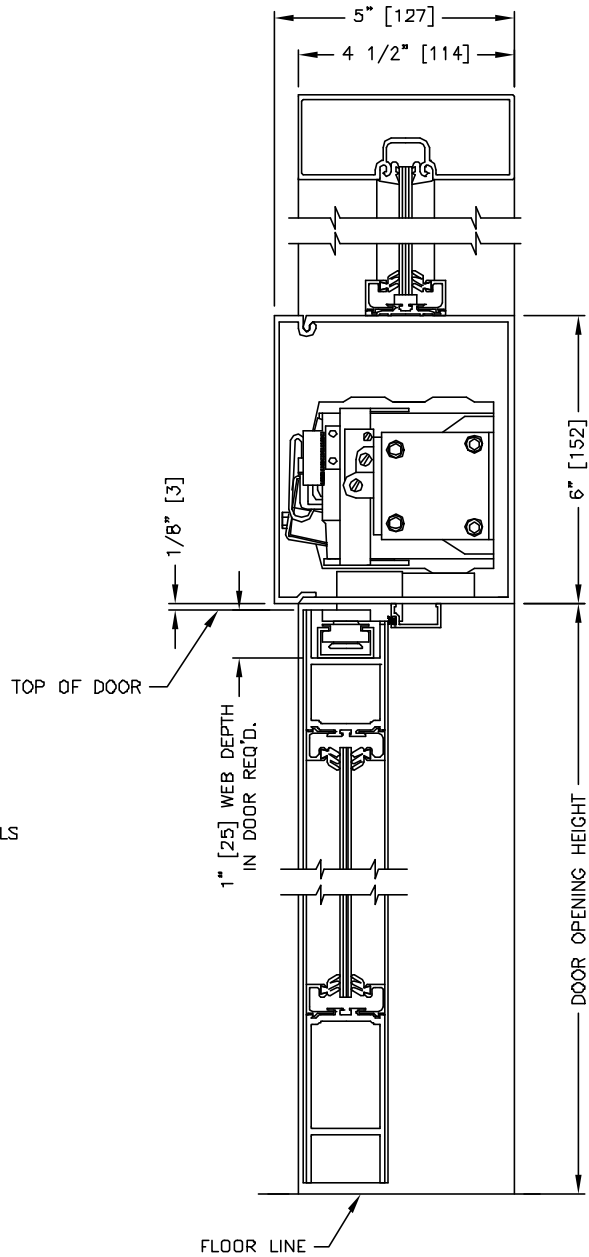
GUIDE RAILS
(TYP.)

PLAN VIEW

SCALE: 1/4" = 1'0"

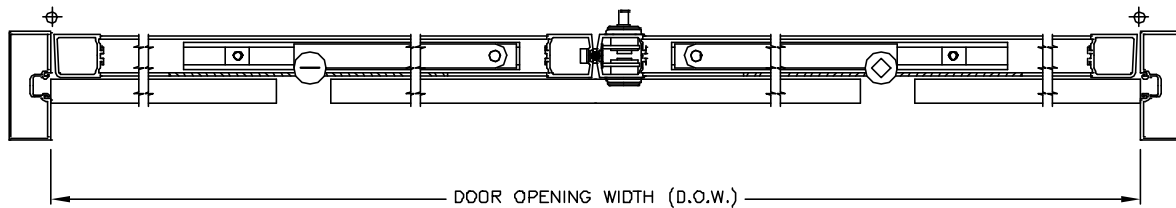
NOTES:

1. IF DOORS AND FRAMES ARE TO BE INCLUDED, UNIT WILL BE SERIES 2600, MODEL 2628 (DUAL SIMULTANEOUS).
2. TOP RAIL OF DOORS MUST BE MODIFIED TO PROVIDE CLEARANCE FOR ARM. CONTACT KM SYSTEMS FOR DETAILS.



SECTION: 2

SCALE: 1/4" SIZE



SECTION: 1

SCALE: 1/8" SIZE

MEASUREMENTS GIVEN IN INCHES [MILLIMETERS].