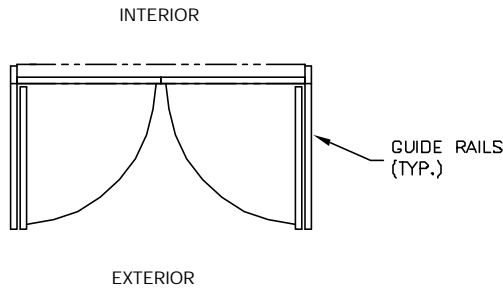


ELEVATION VIEW

SCALE: 1/4" = 1'0"

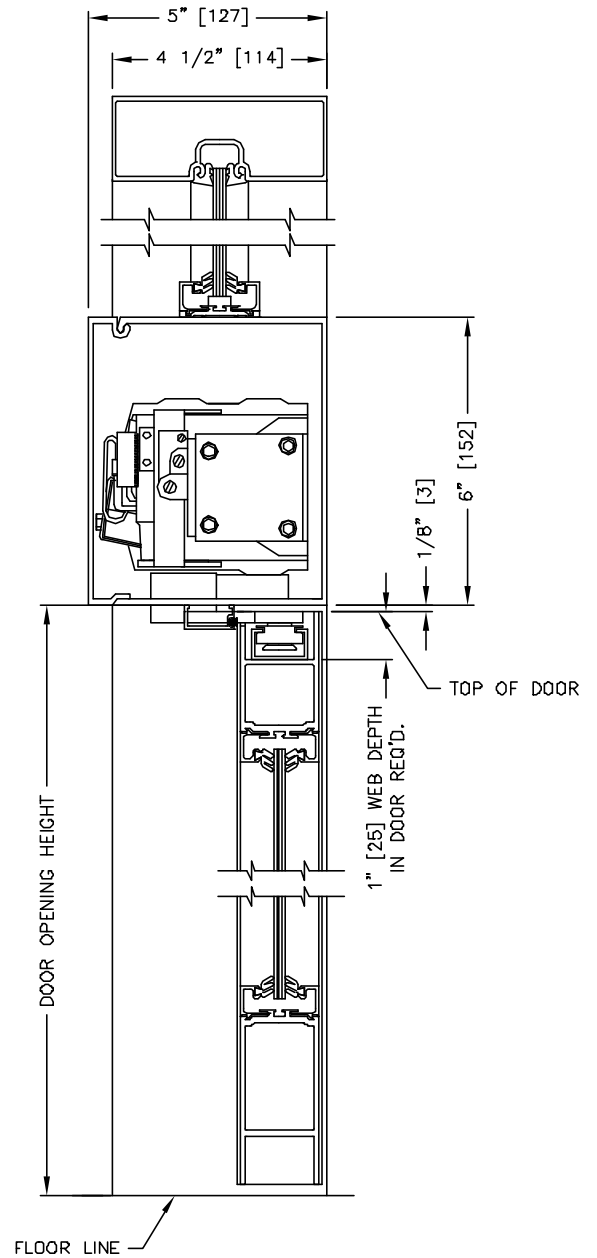


PLAN VIEW

SCALE: 1/4" = 1'0"

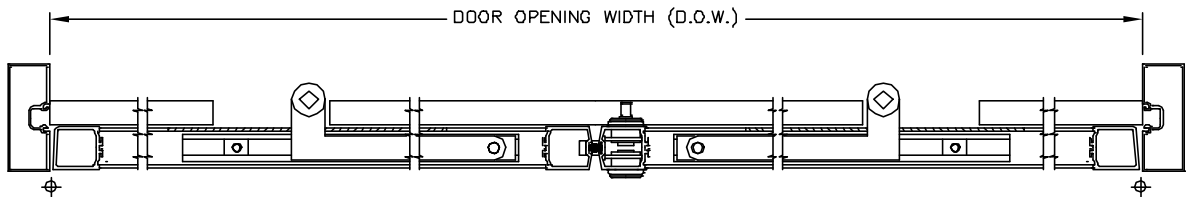
NOTES:

1. IF DOORS AND FRAMES ARE TO BE INCLUDED, UNIT WILL BE SERIES 2600, MODEL 2624 (DUAL SIMULTANEOUS).
2. TOP RAIL OF DOORS MUST BE MODIFIED TO PROVIDE CLEARANCE FOR ARM. CONTACT KM SYSTEMS FOR DETAILS.



SECTION: 2

SCALE: 1/4 SIZE



SECTION: 1

SCALE: 1/8 SIZE

MEASUREMENTS GIVEN IN INCHES [MILLIMETERS].