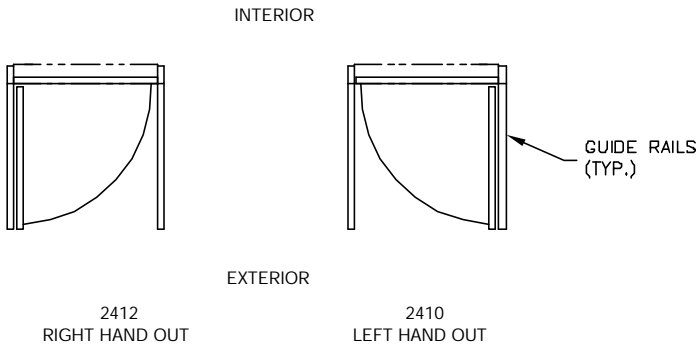


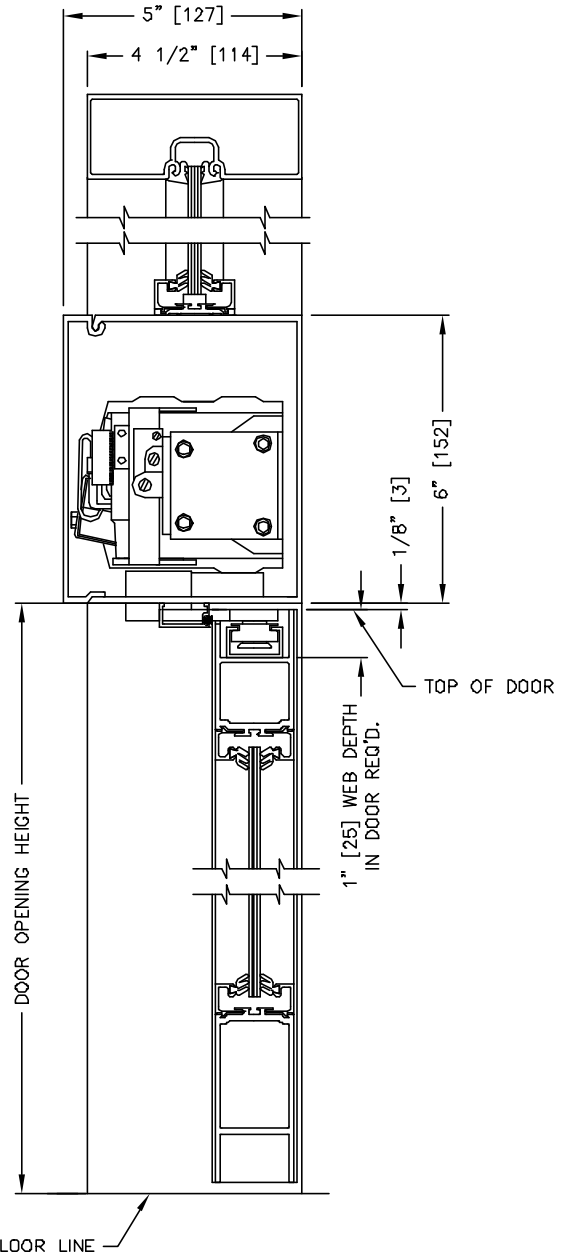
ELEVATION VIEW

SCALE: 1/4" = 1'0"



PLAN VIEW

SCALE: 1/4" = 1'0"



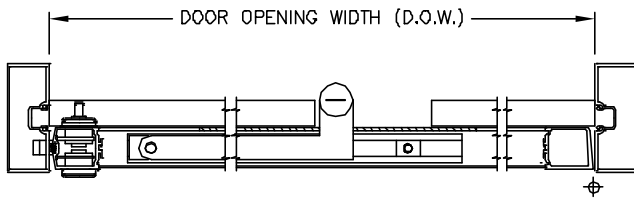
SECTION: 2

SCALE: 1/4 SIZE

NOTES:

1. IF DOORS AND FRAMES ARE TO BE INCLUDED, UNIT WILL BE SERIES 2600, MODEL 2610 (LH OUT) OR 2612 (RH OUT).
2. TOP RAIL OF DOOR MUST BE MODIFIED TO PROVIDE CLEARANCE FOR ARM. CONTACT KM SYSTEMS FOR DETAILS.

LH OUT (2410) SHOWN.
RH OUT (2412) OPPOSITE.



SECTION: 1

SCALE: 1/8 SIZE

MEASUREMENTS GIVEN IN INCHES [MILLIMETERS].