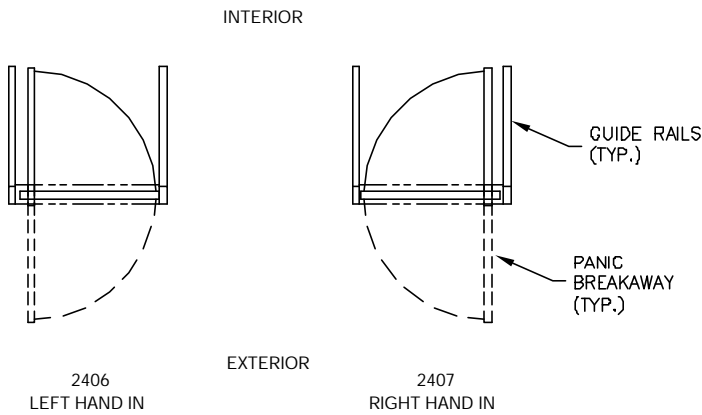


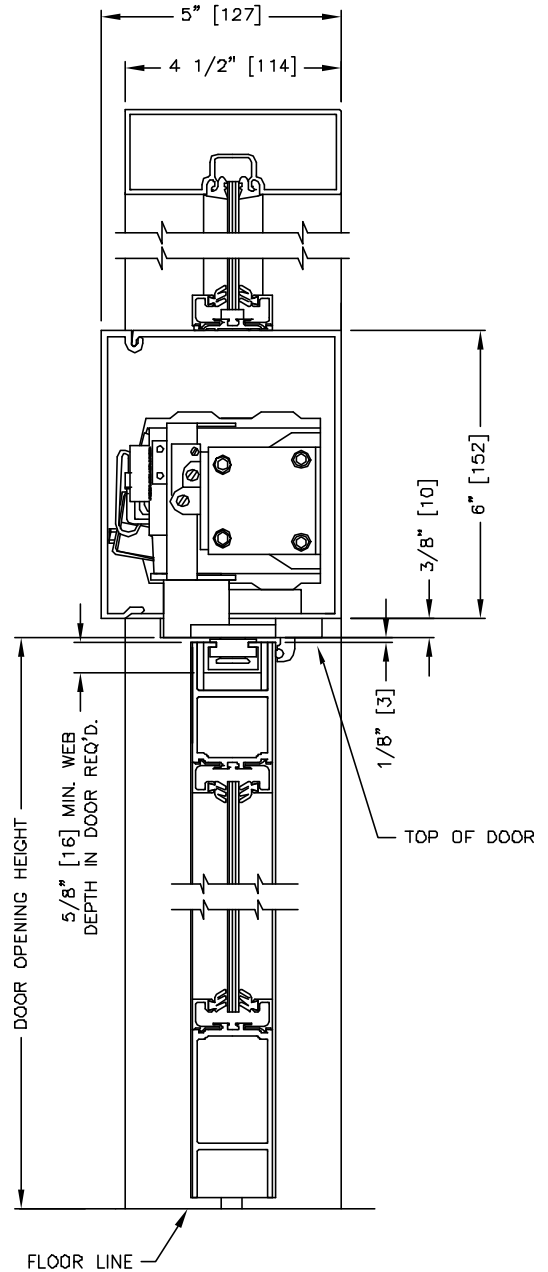
ELEVATION VIEW

SCALE: 1/4" = 1'0"



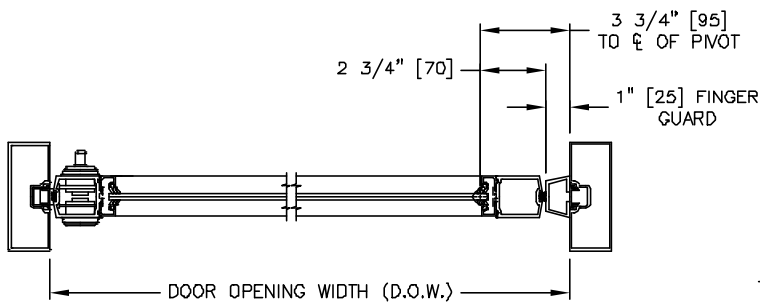
PLAN VIEW

SCALE: 1/4" = 1'0"



SECTION: 2

SCALE: 1/4 SIZE



SECTION: 1

SCALE: 1/8 SIZE

NOTE: IF DOORS AND FRAMES ARE TO BE INCLUDED, UNIT WILL BE SERIES 2600, MODEL 2606 (LH IN) OR 2607 (RH IN).

RH IN (2407) SHOWN.
LH IN (2406) OPPOSITE.

MEASUREMENTS GIVEN IN INCHES [MILLIMETERS].