



AUTOMATED ENTRANCE SYSTEMS

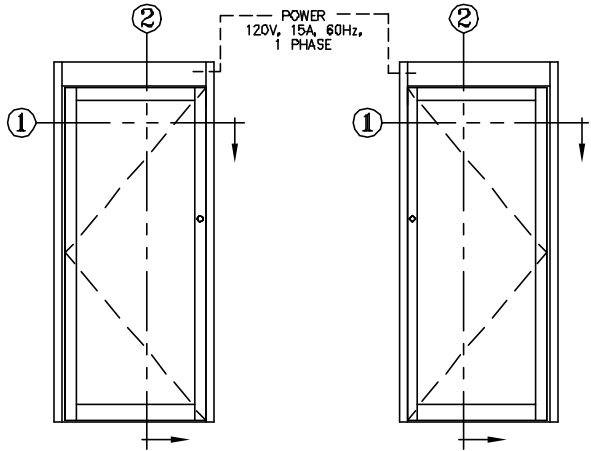
# KM SYSTEMS, INC.

4910 STARCREST DRIVE (28110)  
P.O. BOX 3099  
MONROE, NC 28111-3099 U.S.A.

## AUTOMATIC SWING DOOR OPERATORS

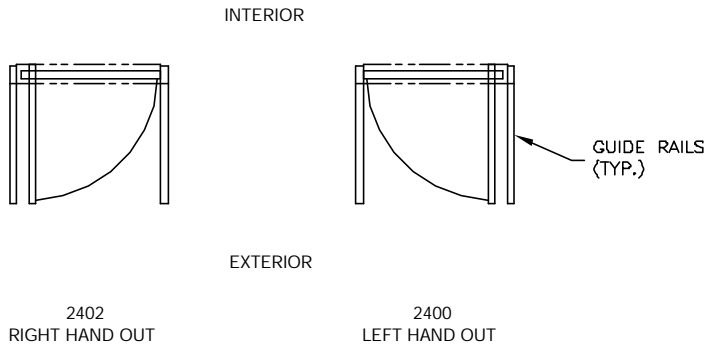
SERIES: 2400 O.H.C. ELECTROHYDRAULIC, FULL FEATURE  
MODEL: 2400 (LEFT HAND), 2402 (RIGHT HAND)  
TYPE: OUT SWING

PAGE 24-2.01



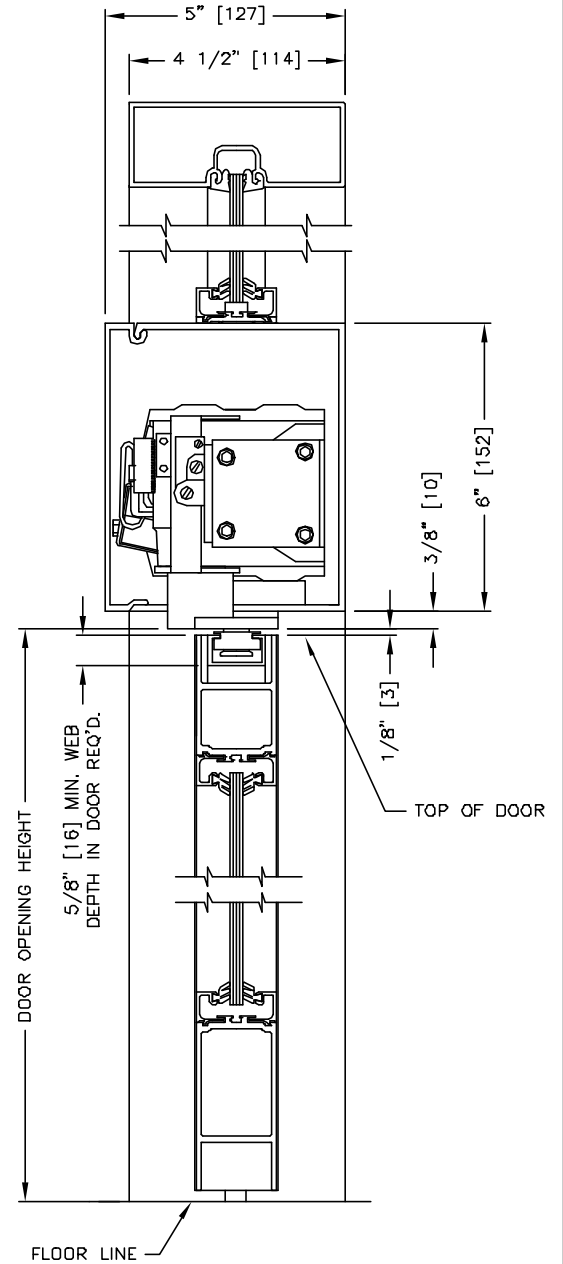
### ELEVATION VIEW

SCALE: 1/4" = 1'0"



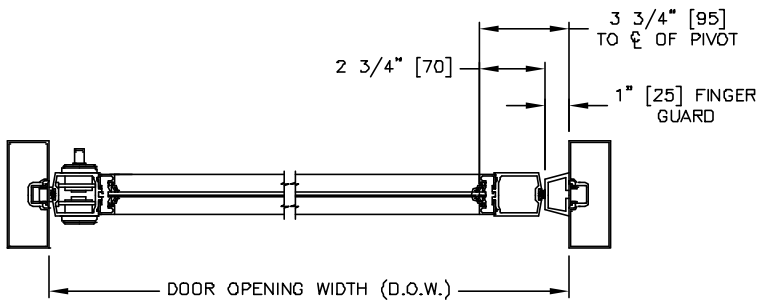
### PLAN VIEW

SCALE: 1/4" = 1'0"



### SECTION: 2

SCALE: 1/4 SIZE



### SECTION: 1

SCALE: 1/8 SIZE

NOTE: IF DOORS AND FRAMES ARE TO BE INCLUDED, UNIT WILL BE SERIES 2600, MODEL 2600 (LH OUT) OR 2602 (RH OUT).

LH OUT (2400) SHOWN.  
RH OUT (2402) OPPOSITE.

MEASUREMENTS GIVEN IN INCHES [MILLIMETERS].