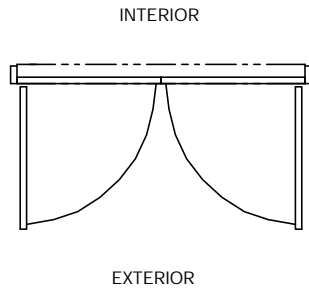


ELEVATION VIEW

SCALE: 1/4" = 1'0"

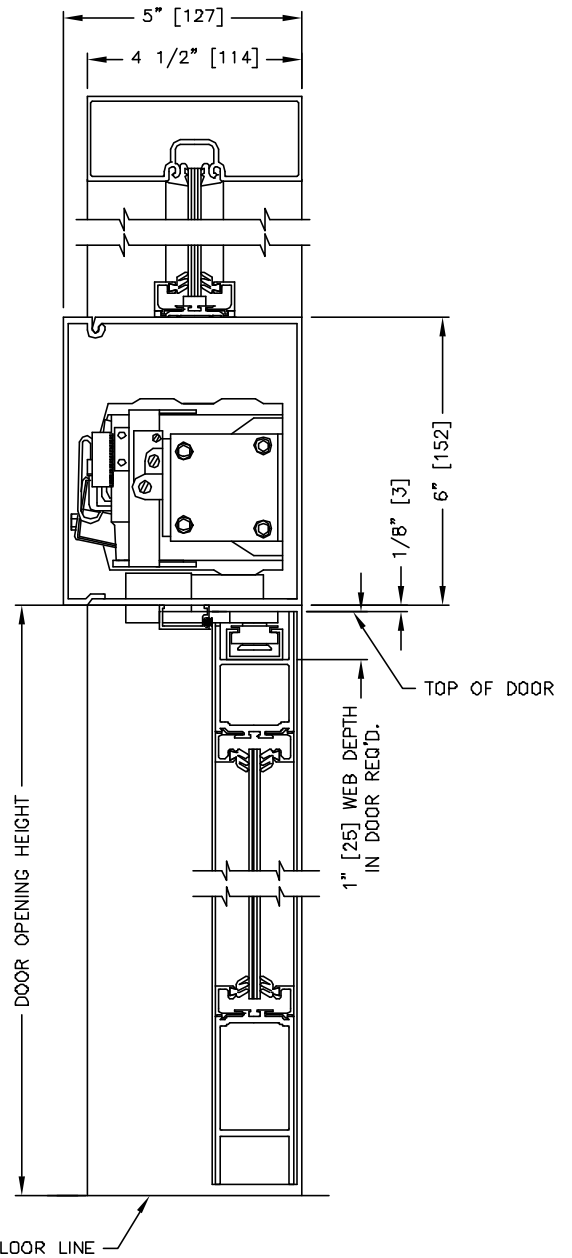


PLAN VIEW

SCALE: 1/4" = 1'0"

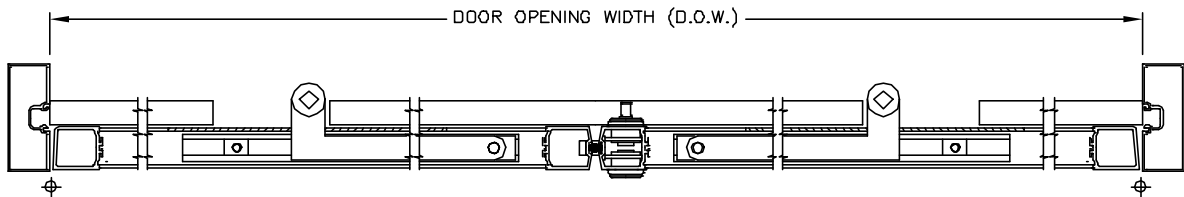
NOTE:

TOP RAIL OF DOOR MUST BE MODIFIED
TO PROVIDE CLEARANCE FOR ARM.
CONTACT KM SYSTEMS FOR DETAILS.



SECTION: 2

SCALE: 1/4 SIZE



SECTION: 1

SCALE: 1/8 SIZE

MEASUREMENTS GIVEN IN INCHES [MILLIMETERS].