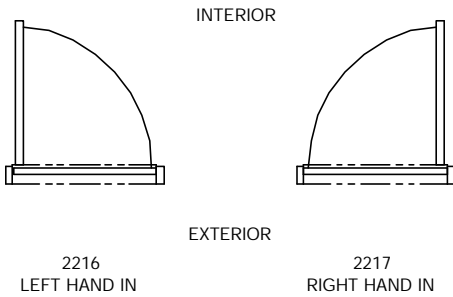


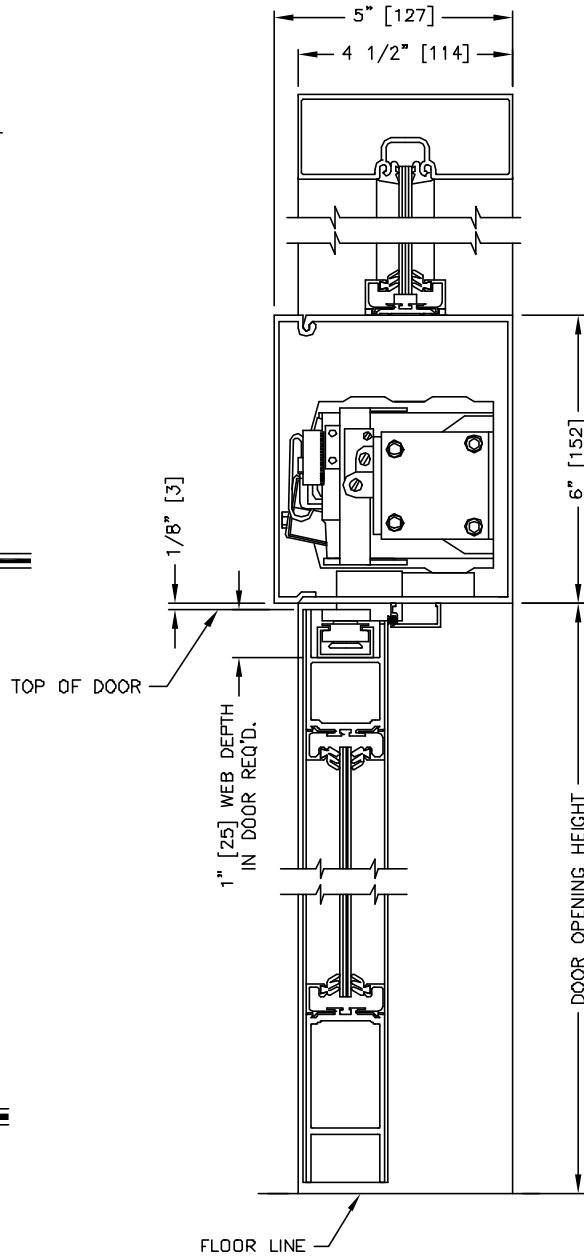
**ELEVATION VIEW**

SCALE: 1/4" = 1'0"



**PLAN VIEW**

SCALE: 1/4" = 1'0"



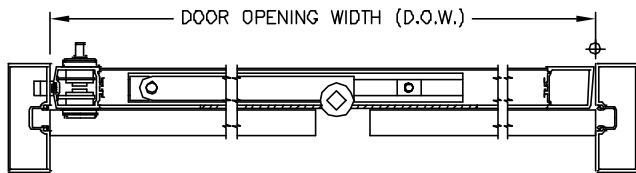
**SECTION: 2**

SCALE: 1/4 SIZE

**NOTE:**

TOP RAIL OF DOOR MUST BE MODIFIED TO PROVIDE CLEARANCE FOR ARM. CONTACT KM SYSTEMS FOR DETAILS.

RH IN (2217) SHOWN.  
LH IN (2216) OPPOSITE.



**SECTION: 1**

SCALE: 1/8 SIZE

MEASUREMENTS GIVEN IN INCHES [MILLIMETERS].