



AUTOMATED ENTRANCE SYSTEMS

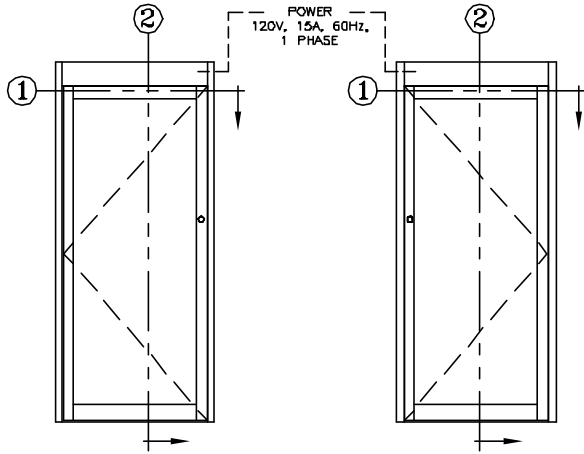
KM SYSTEMS, INC.

4910 STARCREST DRIVE (28110)
P.O. BOX 3099
MONROE, NC 28111-3099 U.S.A.

ACCESS ONE SWING DOOR OPERATORS

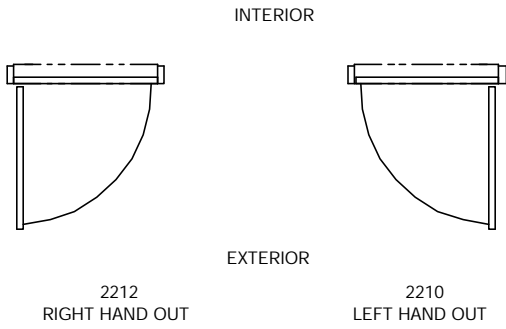
SERIES: 2200 O.H.C. ELECTROHYDRAULIC, LOW ENERGY
MODEL: 2210 (LEFT HAND), 2212 (RIGHT HAND)
TYPE: OUT SWING (BUTT HUNG DOORS)

PAGE 22-2.07



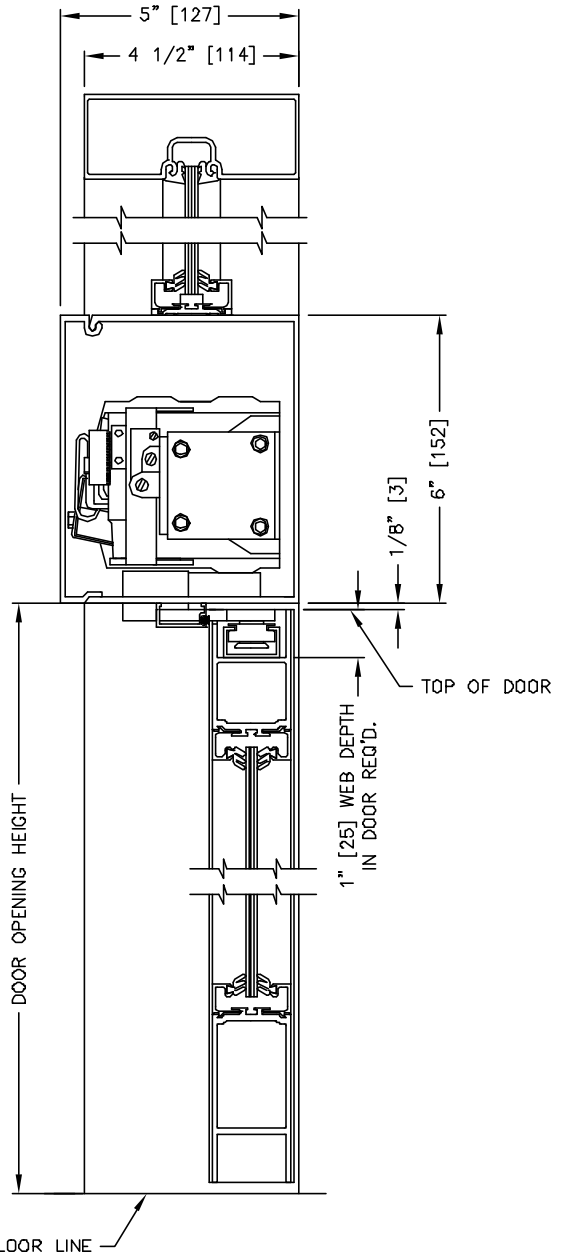
ELEVATION VIEW

SCALE: 1/4" = 1'0"



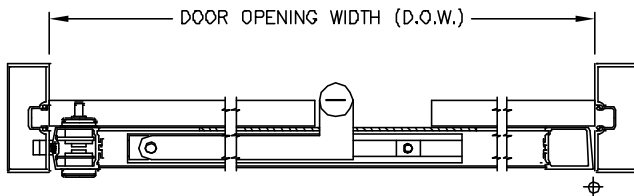
PLAN VIEW

SCALE: 1/4" = 1'0"



SECTION: 2

SCALE: 1/4 SIZE



SECTION: 1

SCALE: 1/8 SIZE

NOTE:

TOP RAIL OF DOOR MUST BE MODIFIED TO PROVIDE CLEARANCE FOR ARM. CONTACT KM SYSTEMS FOR DETAILS.

LH OUT (2210) SHOWN.
RH OUT (2212) OPPOSITE.

MEASUREMENTS GIVEN IN INCHES [MILLIMETERS].