



AUTOMATED ENTRANCE SYSTEMS

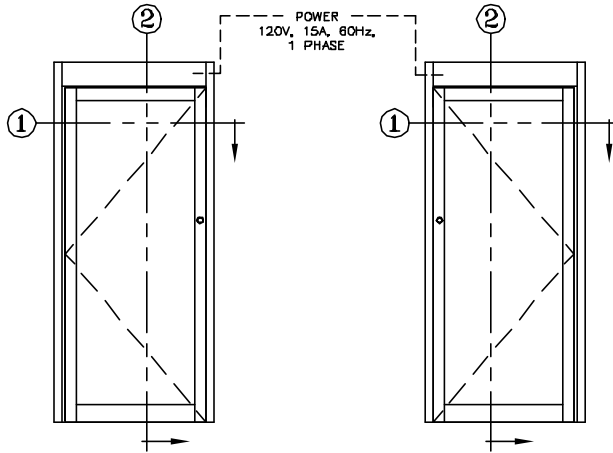
KM SYSTEMS, INC.

4910 STARCREST DRIVE (28110)
P.O. BOX 3099
MONROE, NC 28111-3099 U.S.A.

ACCESS ONE SWING DOOR OPERATORS

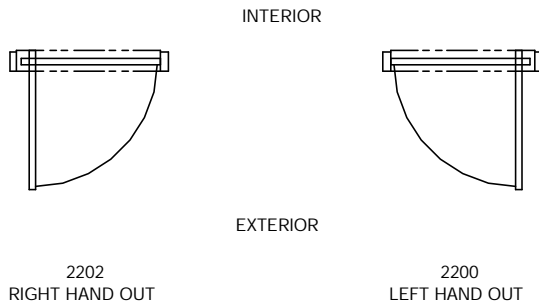
SERIES: 2200 O.H.C. ELECTROHYDRAULIC, LOW ENERGY
MODEL: 2200 (LEFT HAND), 2202 (RIGHT HAND)
TYPE: OUT SWING

PAGE 22-2.01



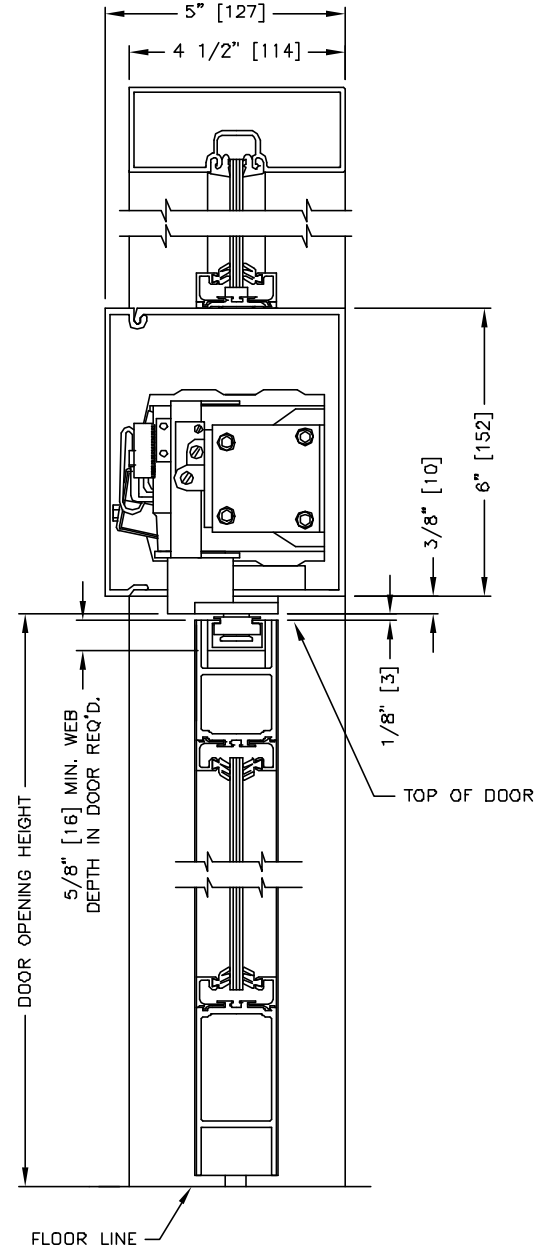
ELEVATION VIEW

SCALE: 1/4" = 1'0"



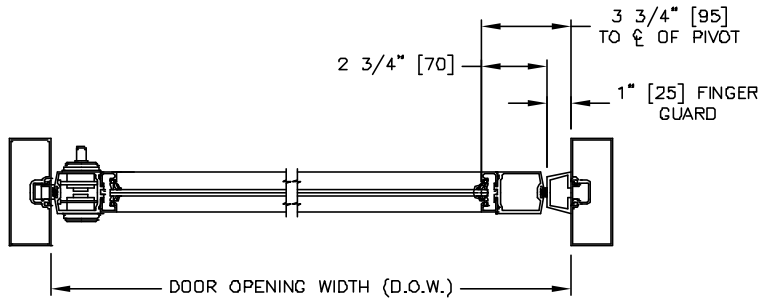
PLAN VIEW

SCALE: 1/4" = 1'0"



SECTION: 2

SCALE: 1/4 SIZE



SECTION: 1

SCALE: 1/8 SIZE

LH OUT (2200) SHOWN.
RH OUT (2202) OPPOSITE.

MEASUREMENTS GIVEN IN INCHES [MILLIMETERS].