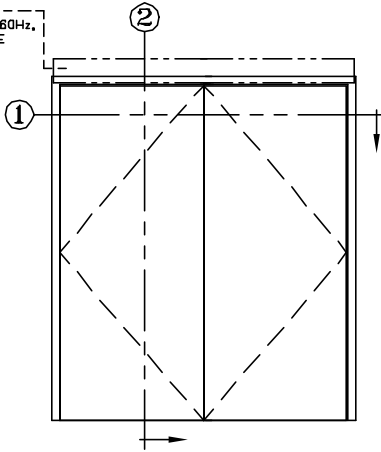


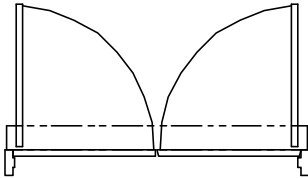
POWER
120V, 15A, 60Hz,
1 PHASE



ELEVATION VIEW

SCALE: 1/4" = 1'0"

INTERIOR

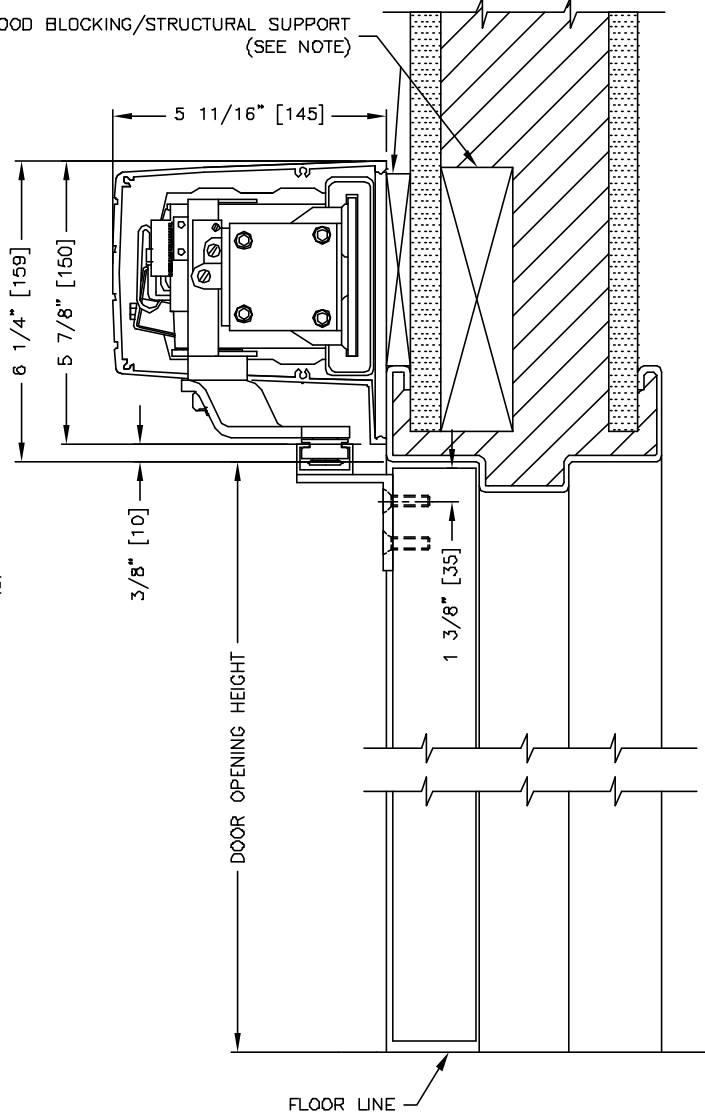


EXTERIOR

NOTES:

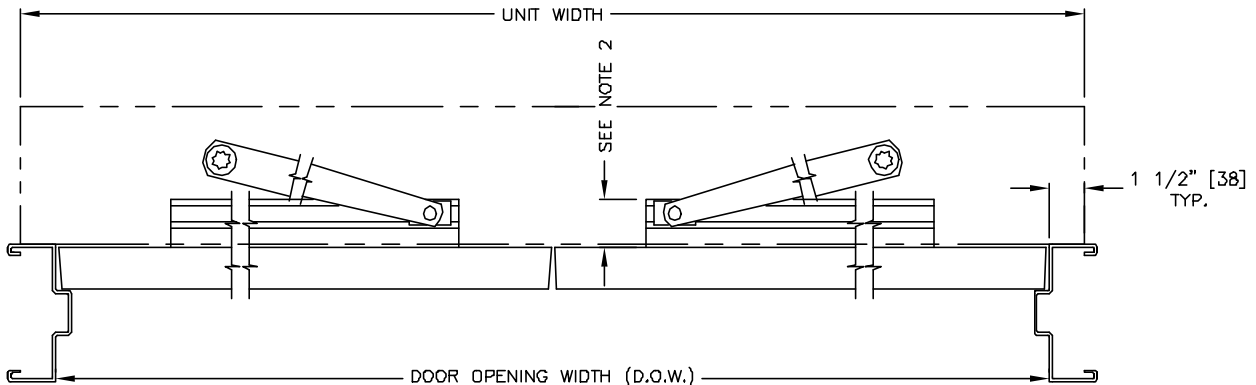
1. WOOD BLOCKING/STRUCTURAL SUPPORT FOR DOOR OPERATOR (BY OTHERS).
2. 2-1/2" FOR REVEAL 0" - 1/2"
3-1/2" FOR REVEAL 9/16" - 1-1/2"
3. AUXILIARY DOOR STOP (BY OTHERS) REQUIRED AT FULL DOOR OPEN POSITION.

WOOD BLOCKING/STRUCTURAL SUPPORT
(SEE NOTE)



SECTION: 2

SCALE: 1/4 SIZE



SECTION: 1

SCALE: 1/8 SIZE

MEASUREMENTS GIVEN IN INCHES [MILLIMETERS].