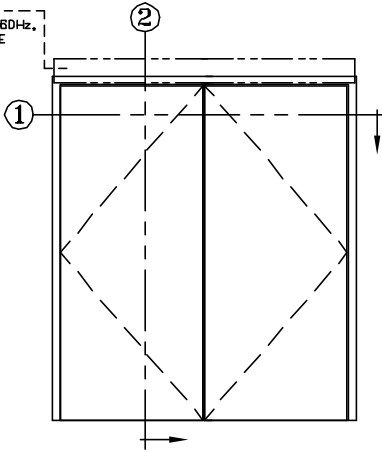


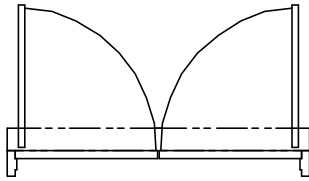
POWER  
120V, 15A, 60Hz,  
1 PHASE



**ELEVATION VIEW**

SCALE: 1/4" = 1'0"

INTERIOR



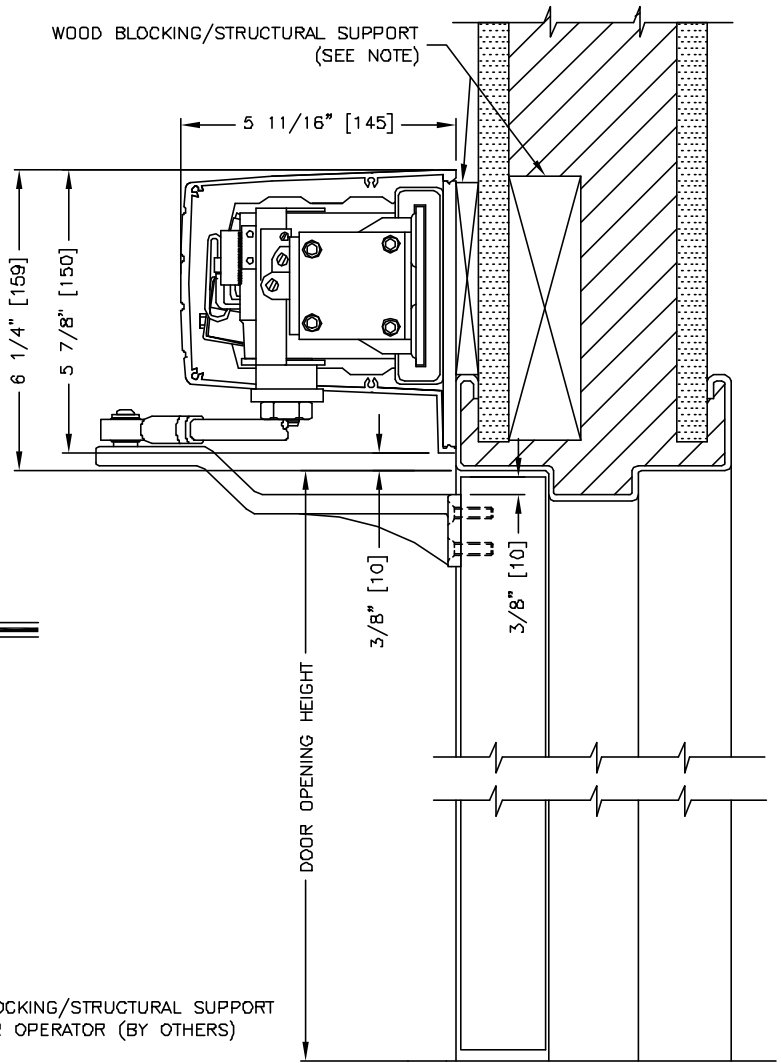
EXTERIOR

NOTE: WOOD BLOCKING/STRUCTURAL SUPPORT FOR DOOR OPERATOR (BY OTHERS)

**PLAN VIEW**

SCALE: 1/4" = 1'0"

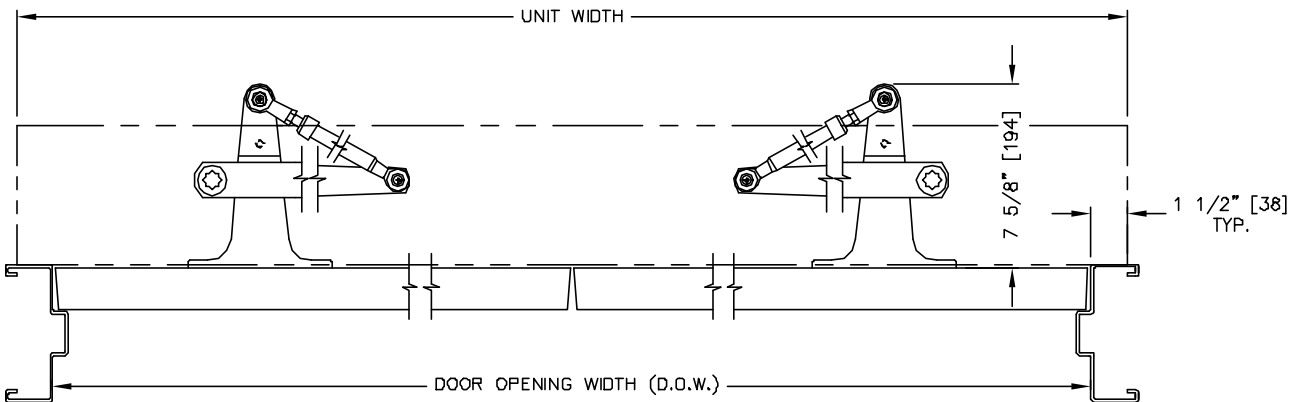
WOOD BLOCKING/STRUCTURAL SUPPORT (SEE NOTE)



FLOOR LINE

**SECTION: 2**

SCALE: 1/4 SIZE



**SECTION: 1**

SCALE: 1/8 SIZE

MEASUREMENTS GIVEN IN INCHES [MILLIMETERS].