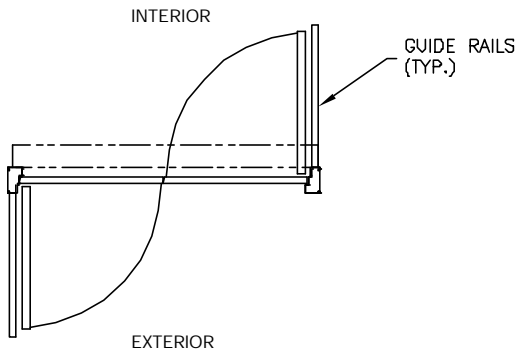


**ELEVATION VIEW**

SCALE: 1/4" = 1'0"

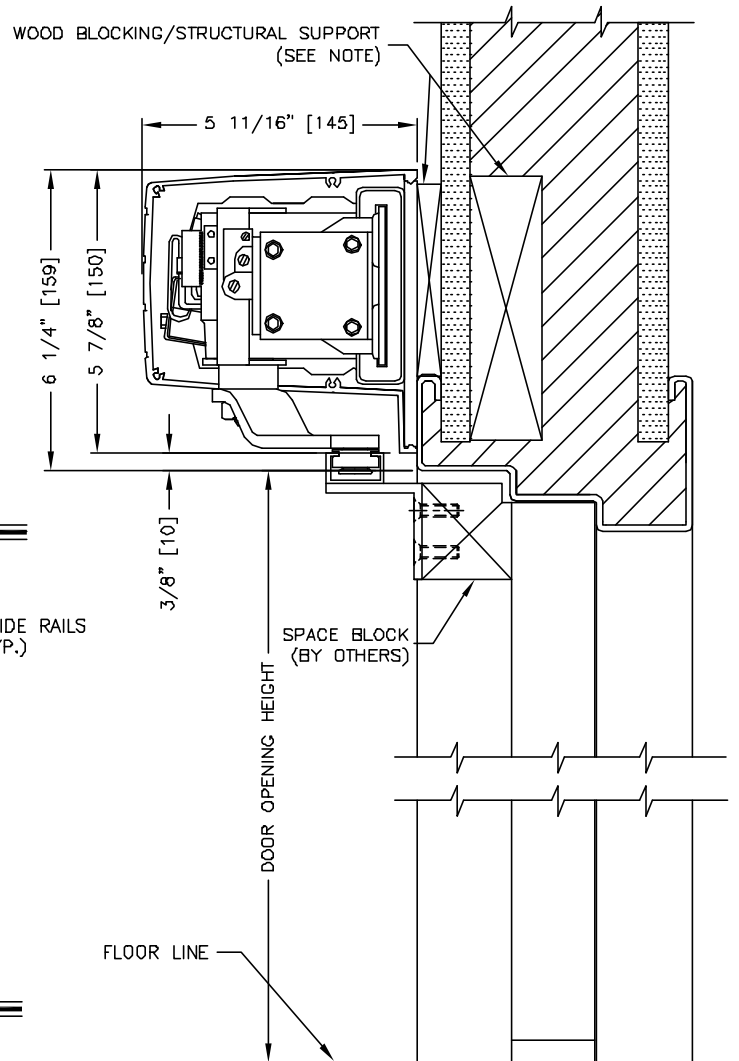


**PLAN VIEW**

SCALE: 1/4" = 1'0"

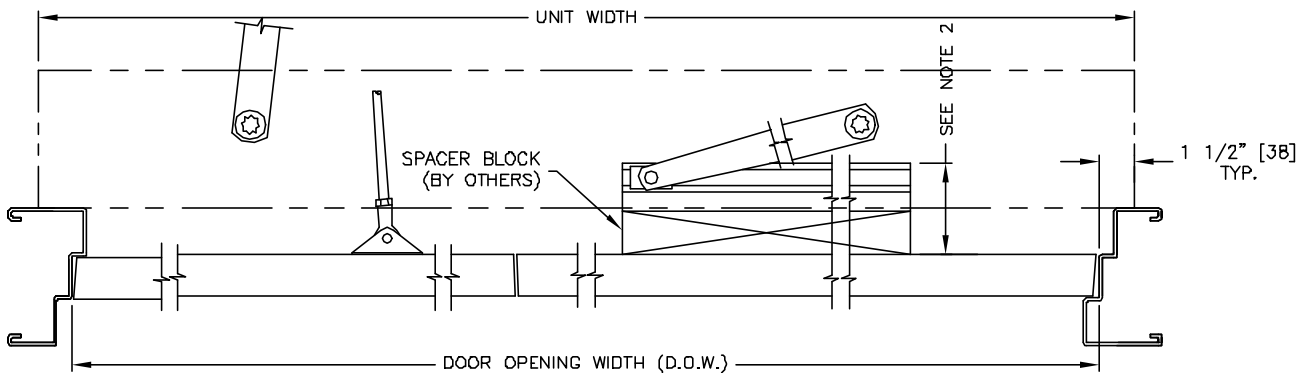
**NOTES:**

1. WOOD BLOCKING/STRUCTURAL SUPPORT FOR DOOR OPERATOR (BY OTHERS).
2. FOR REVEALS GREATER THAN 1", SPACER BLOCK (BY OTHERS) MUST BE USED (REVEAL SHOWN IN SECTION 2 IS 1-3/8").



**SECTION: 2**

SCALE: 1/4" SIZE



**SECTION: 1**

SCALE: 1/8" SIZE

MEASUREMENTS GIVEN IN INCHES [MILLIMETERS].