



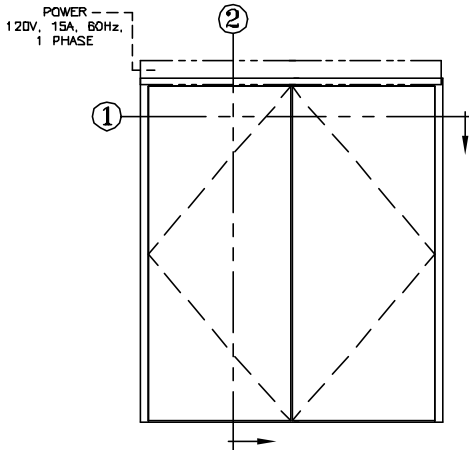
AUTOMATED ENTRANCE SYSTEMS

KM SYSTEMS, INC.

4910 STARCREST DRIVE (28110)
P.O. BOX 3099
MONROE, NC 28111-3099 U.S.A.

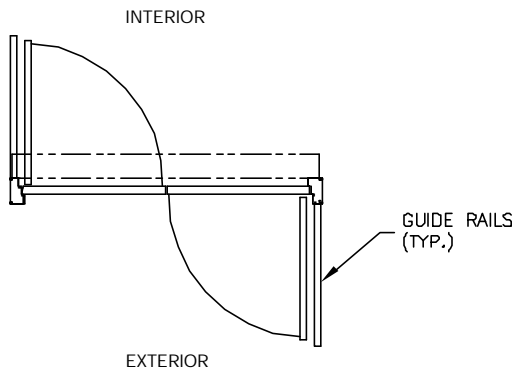
AUTOMATIC SWING DOOR OPERATORS

SERIES: 2000 ELECTROHYDRAULIC, FULL FEATURE
MODEL: 2032 (DUAL SIMULTANEOUS) OR 2042 (DUAL INDEPENDENT)
TYPE: L.H. DOUBLE EGRESS
PAGE 20-2.09



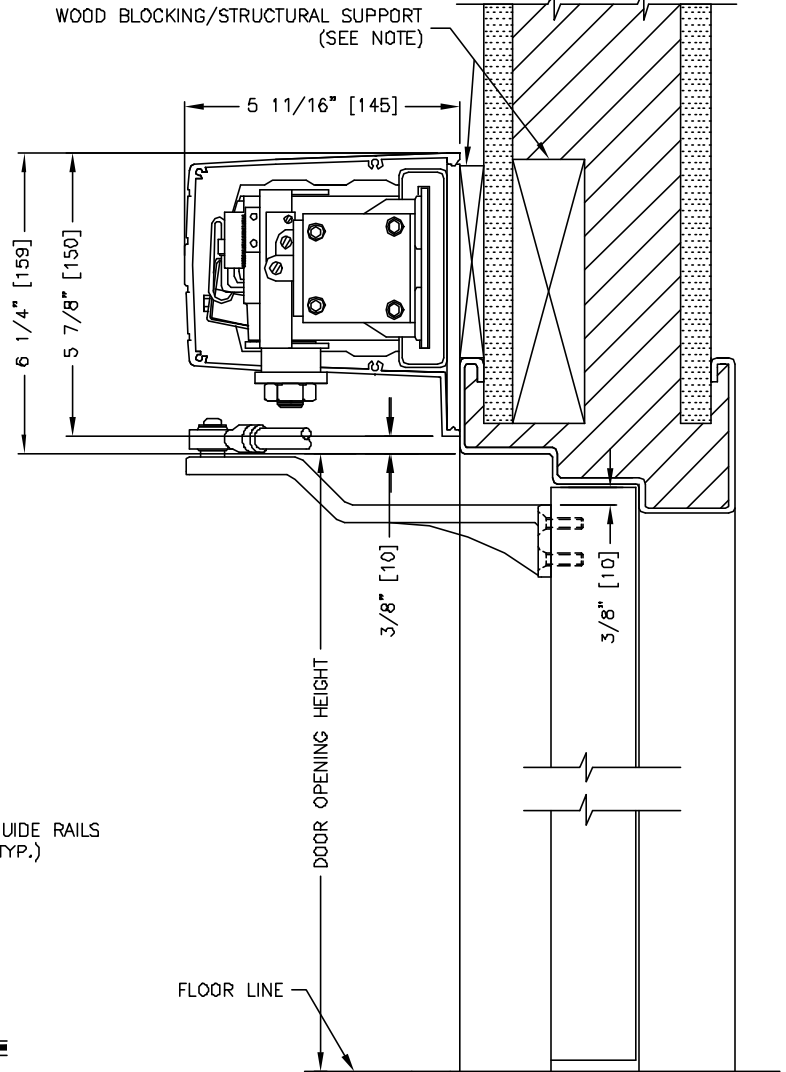
ELEVATION VIEW

SCALE: 1/4" = 1'0"



PLAN VIEW

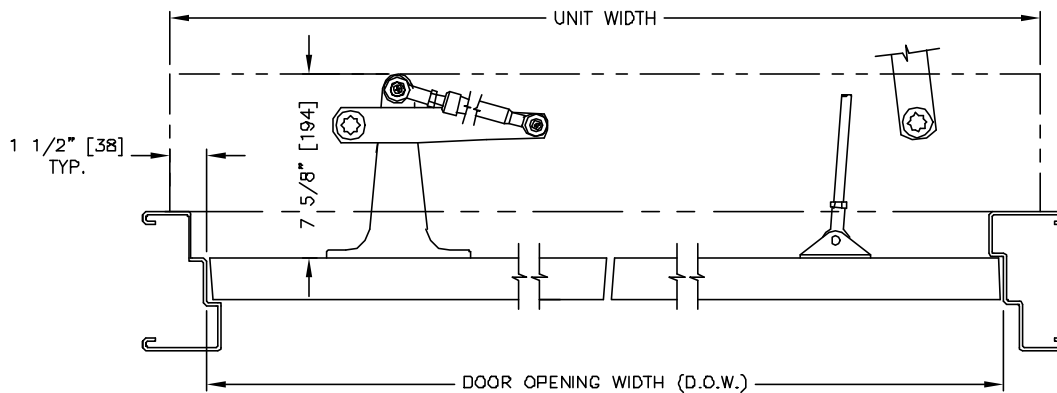
SCALE: 1/4" = 1'0"



SECTION: 2

SCALE: 1/4 SIZE

NOTE: WOOD BLOCKING/STRUCTURAL SUPPORT FOR DOOR OPERATOR (BY OTHERS)



SECTION: 1

SCALE: 1/8 SIZE

MEASUREMENTS GIVEN IN INCHES [MILLIMETERS].