



AUTOMATED ENTRANCE SYSTEMS

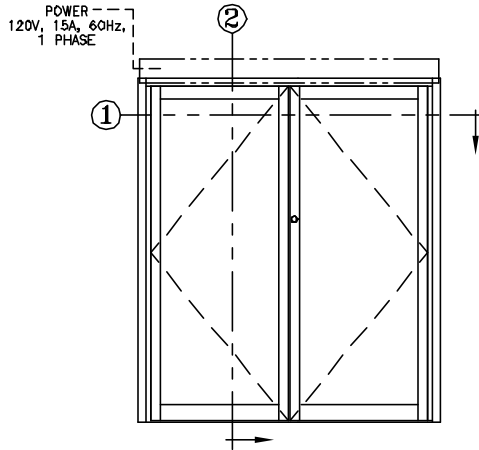
KM SYSTEMS, INC.

4910 STARCREST DRIVE (28110)
P.O. BOX 3099
MONROE, NC 28111-3099 U.S.A.

AUTOMATIC SWING DOOR OPERATORS

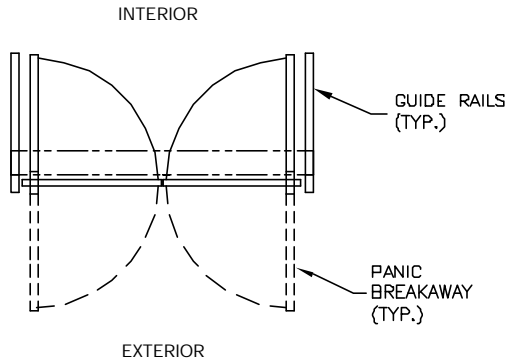
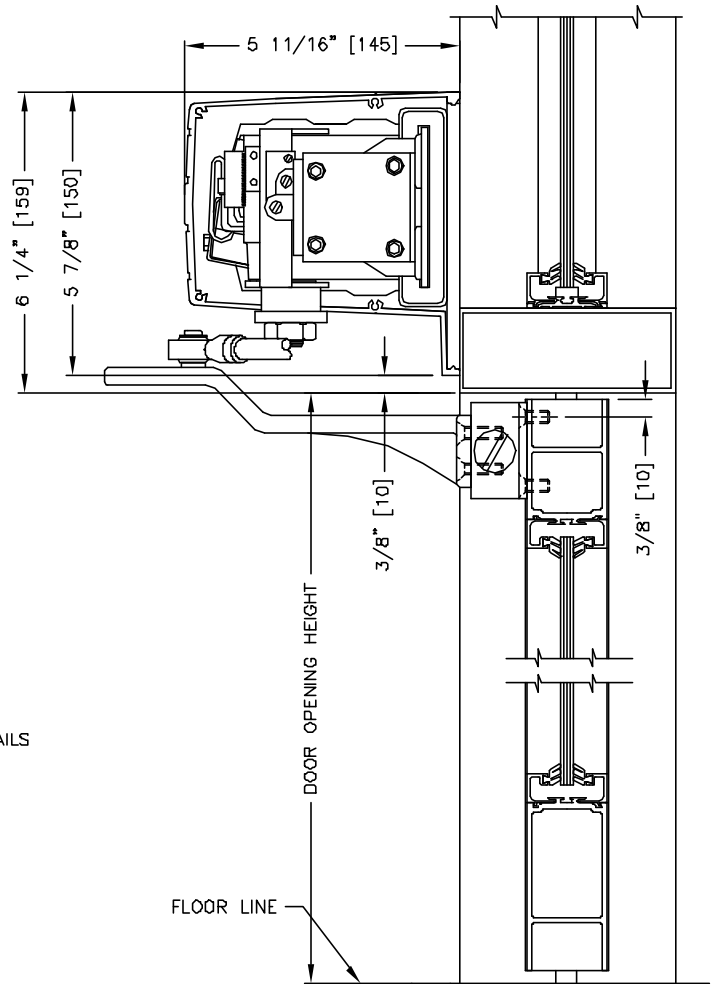
SERIES: 2000 ELECTROHYDRAULIC, FULL FEATURE
MODEL: 2026 (DUAL SIMULTANEOUS)
TYPE: IN SWING (WITH BREAKAWAY)

PAGE 20-2.07



ELEVATION VIEW

SCALE: 1/4" = 1'0"

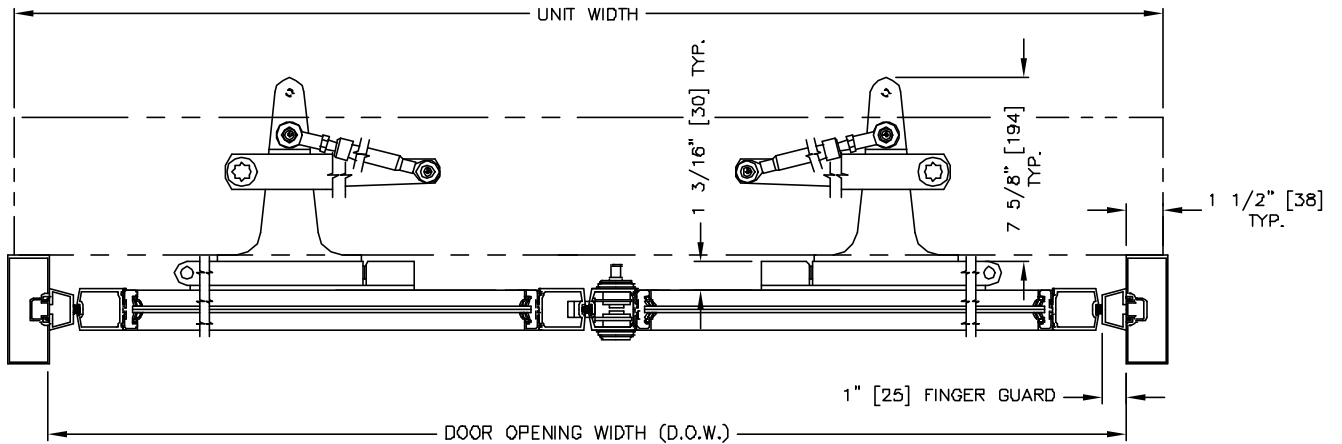


PLAN VIEW

SCALE: 1/4" = 1'0"

SECTION: 2

SCALE: 1/4 SIZE



SECTION: 1

SCALE: 1/8 SIZE

MEASUREMENTS GIVEN IN INCHES [MILLIMETERS].