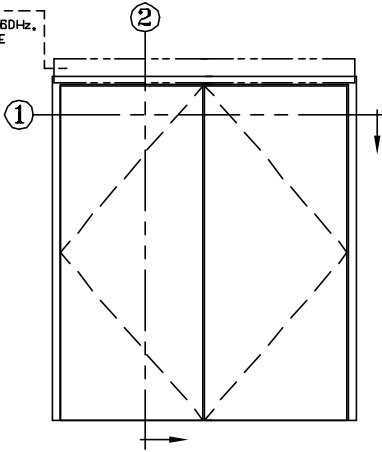


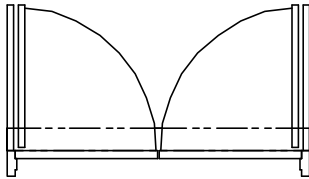
POWER
120V, 15A, 60Hz,
1 PHASE



ELEVATION VIEW

SCALE: 1/4" = 1'0"

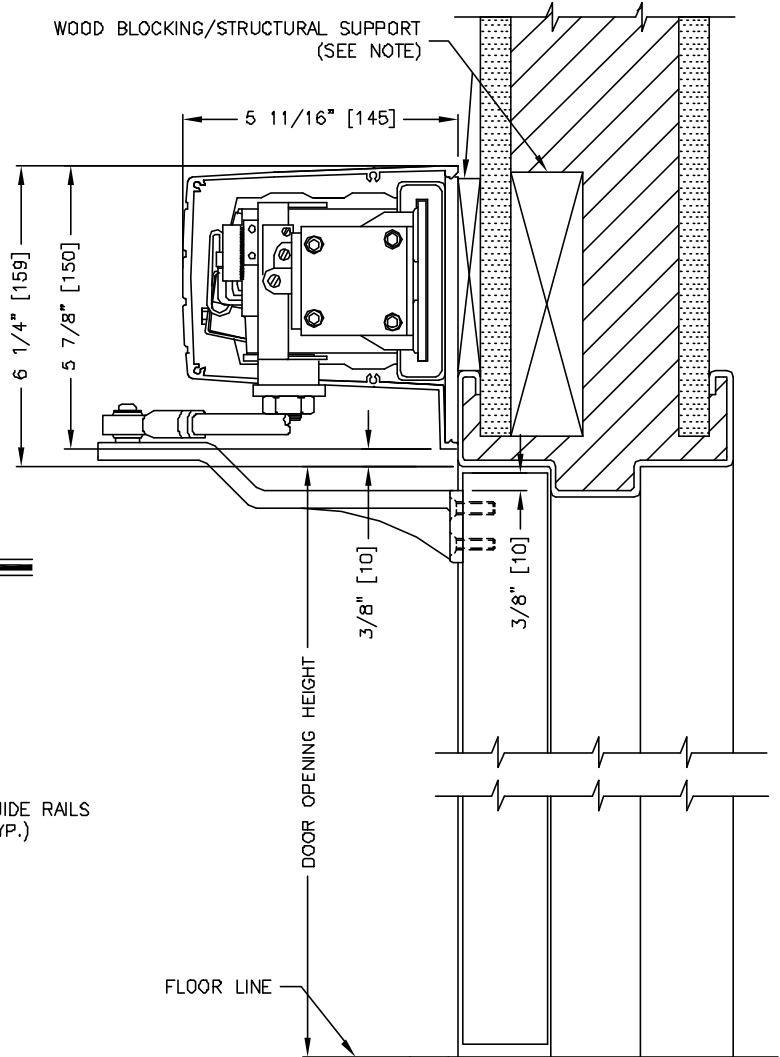
INTERIOR



GUIDE RAILS
(TYP.)

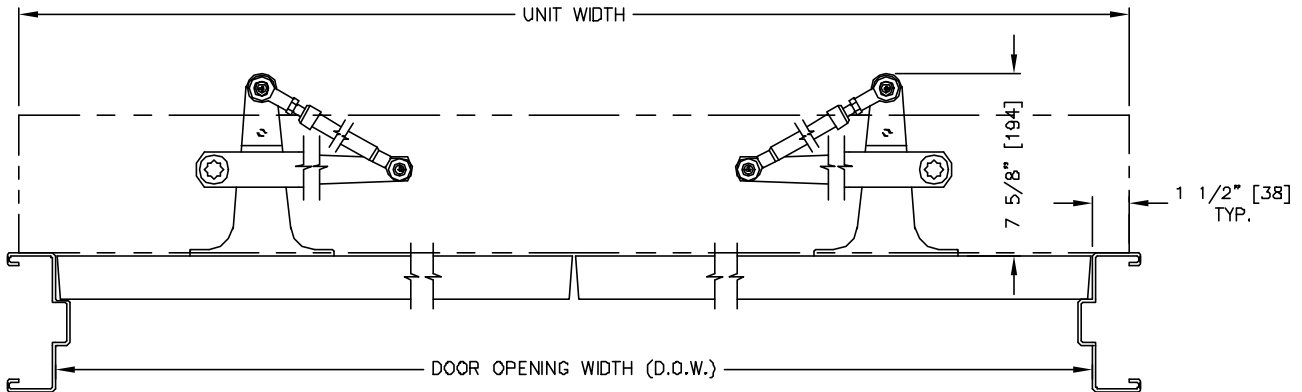
EXTERIOR

WOOD BLOCKING/STRUCTURAL SUPPORT
(SEE NOTE)



SECTION: 2

SCALE: 1/4 SIZE



SECTION: 1

SCALE: 1/8 SIZE

NOTE: WOOD BLOCKING/STRUCTURAL SUPPORT
FOR DOOR OPERATOR (BY OTHERS)

MEASUREMENTS GIVEN IN INCHES [MILLIMETERS].