



AUTOMATED ENTRANCE SYSTEMS

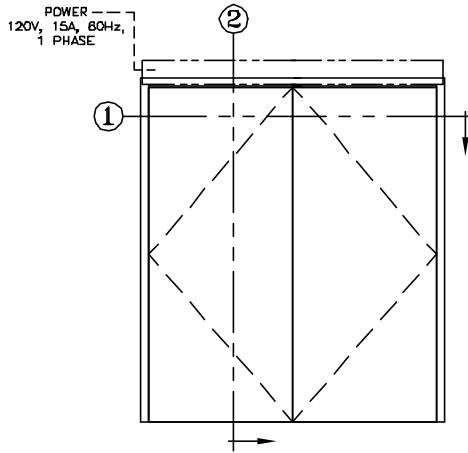
KM SYSTEMS, INC.

4910 STARCREST DRIVE (28110)
P.O. BOX 3099
MONROE, NC 28111-3099 U.S.A.

AUTOMATIC SWING DOOR OPERATORS

SERIES: 2000 ELECTROHYDRAULIC, FULL FEATURE
MODEL: 2022 (DUAL SIMULTANEOUS)
TYPE: OUT SWING (PUSH ARM)

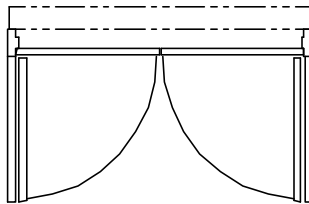
PAGE 20-2.05



ELEVATION VIEW

SCALE: 1/4" = 1'0"

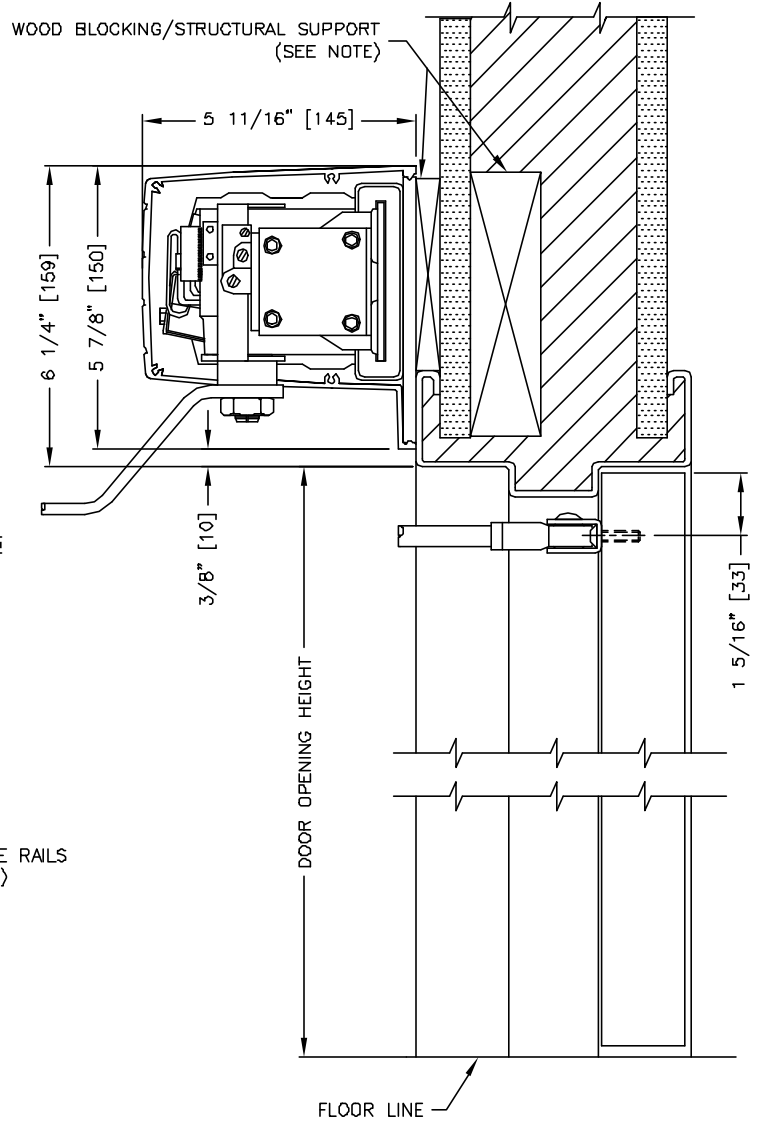
INTERIOR



EXTERIOR

PLAN VIEW

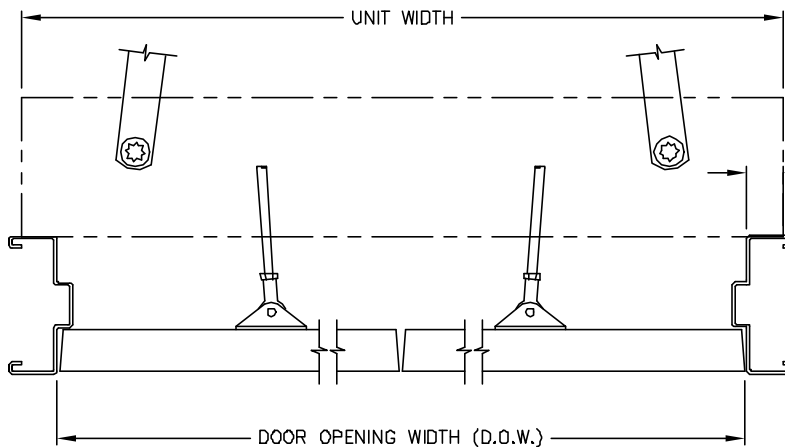
SCALE: 1/4" = 1'0"



SECTION: 2

SCALE: 1/4 SIZE

1 1/2" [38]
TYP.



SECTION: 1

SCALE: 1/8 SIZE

NOTE: WOOD BLOCKING/STRUCTURAL SUPPORT
FOR DOOR OPERATOR (BY OTHERS)

MEASUREMENTS GIVEN IN INCHES [MILLIMETERS].