



AUTOMATED ENTRANCE SYSTEMS

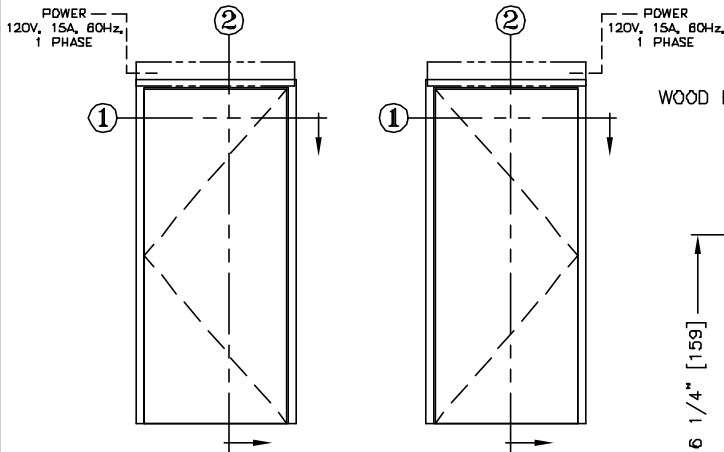
KM SYSTEMS, INC.

4910 STARCREST DRIVE (28110)
P.O. BOX 3099
MONROE, NC 28111-3099 U.S.A.

AUTOMATIC SWING DOOR OPERATORS

SERIES: 2000 ELECTROHYDRAULIC, FULL FEATURE
MODEL: 2000 (LEFT HAND), 2002 (RIGHT HAND)
TYPE: OUT SWING (PUSH ARM)

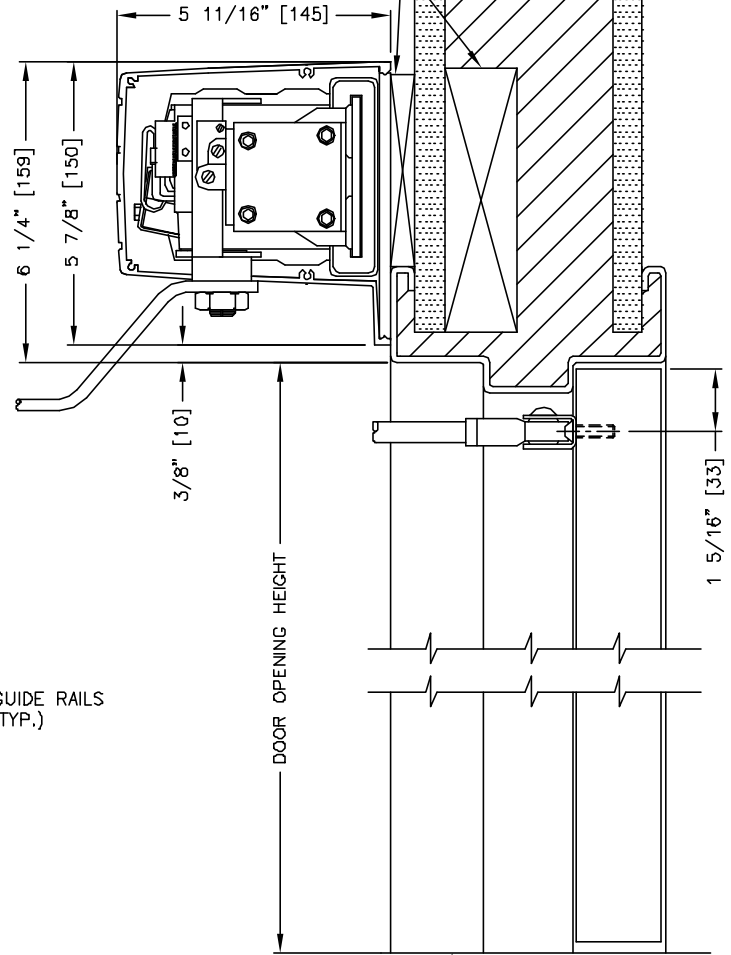
PAGE 20-2.01



ELEVATION VIEW

SCALE: 1/4" = 1'0"

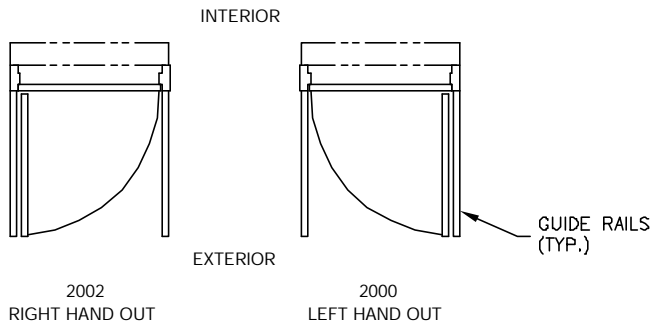
WOOD BLOCKING/STRUCTURAL SUPPORT
(SEE NOTE)



FLOOR LINE

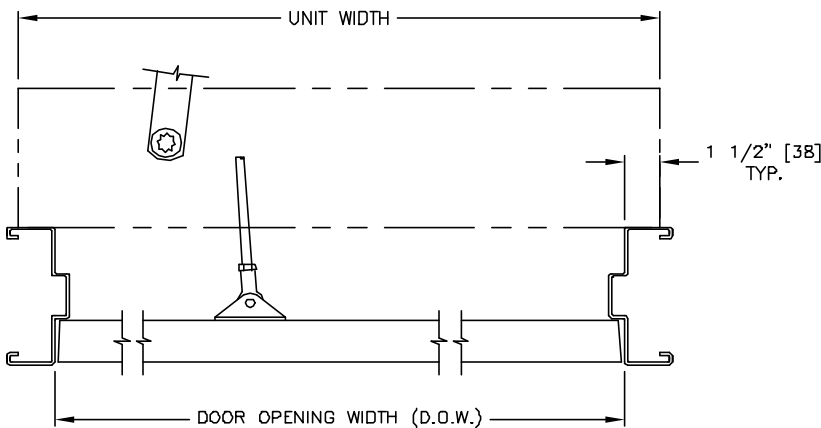
SECTION: 2

SCALE: 1/4 SIZE



PLAN VIEW

SCALE: 1/4" = 1'0"



SECTION: 1

SCALE: 1/8 SIZE

NOTE: WOOD BLOCKING/STRUCTURAL SUPPORT
FOR DOOR OPERATOR (BY OTHERS)

RH OUT 2002 SHOWN.
LH OUT 2000 OPPOSITE.

MEASUREMENTS GIVEN IN INCHES [MILLIMETERS].